

JOC816X1 Series

Rev.A.1.0

DESCRIPTION:

The JOC816X1 photocoupler consist of an infrared light-emitting diode and a phototransistor. The devices can realize electrical isolation and signal transmission between different circuits. The products are widely used in electric energy meter, etc.

MAIN FEATURES

Current transfer ratio (CTR: 80%-600% @ $I_F=5\text{mA}$, $V_{CE}=5\text{V}$)

High isolation voltage between input and output

($V_{iso}=5,000\text{Vrms}$)

Creepage distance > 7.62mm

Operating temperature up to +110°C

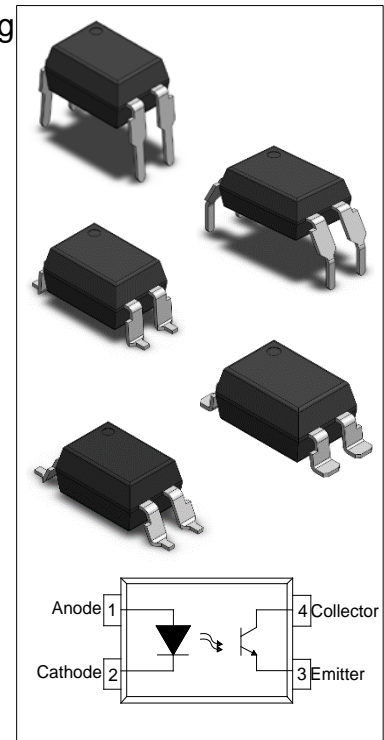
Collector-Emitter voltage $BV_{CEO} \geq 80\text{V}$

CQC approved

VDE approved

UL approved

The products comply with RoHS, REACH and HF



ABSOLUTE MAXIMUM RATINGS (Temperature=25°C)

Parameter		Symbol	Value	Unit
Input	Forward Current	I_F	60	mA
	Peak Forward Current	I_{FP}	1 ^①	A
	Reverse Voltage	V_R	6	V
	Power Dissipation	P_D	100	mW
Output	Collector-emitter Voltage	V_{CEO}	80	V
	Emitter-collector Voltage	V_{ECO}	8	V
	Collector Current	I_C	50	mA
	Power Dissipation	P_C	150	mW
Total Power Dissipation		P_{tot}	200	mW
Isolation Voltage		V_{iso}	5000 ^②	Vrms
Operating Temperature		T_{opr}	-55~+110	°C
Storage Temperature		T_{stg}	-55~+125	°C
Soldering Temperature		T_{sol}	260	°C

NOTE1 : 100μs pulse, 100Hz frequency

NOTE2 : AC for 1minute, R.H.=40~60%

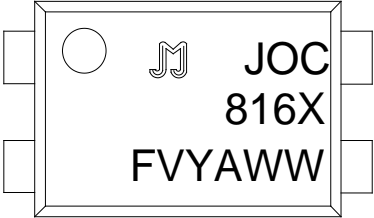
ELECTRICAL CHARACTERISTICS (Temperature=25°C)

Parameter		Symbol	Condition	Min.	Typ.	Max.	Unit
Input	Forward Voltage	V _F	I _F =10mA	-	1.2	1.3	V
			I _F =20mA	-	1.24	1.4	
	Reverse Current	I _R	V _R =6V	-	-	1	μA
	Terminal Capacitance	C _t	V=0, f=1MHz	-	30	250	pF
Output	Collector-Emitter dark current	I _{CEO}	V _{CE} =20V, I _F =0	-	-	50	nA
	Collector-Emitter breakdown voltage	BV _{CEO}	I _C =0.1mA I _F =0	80	-	-	V
	Emitter-Collector breakdown voltage	BV _{ECO}	I _E =0.1mA I _F =0	8	-	-	V
Transfer Characteristics	Current transfer ratio	CTR ^①	I _F =5mA V _{CE} =5V	80	-	600	%
	Collector-Emitter Saturation Voltage	V _{CE(sat)}	I _F =20mA I _C =1mA	-	0.04	0.2	V
	Isolation resistance	R _{IO}	DC500V 40~60%R.H.	5×10 ¹⁰	10 ¹¹	-	Ω
	Floating Capacitance	C _{IO}	V=0, f=1MHz	-	0.4	1	pF
	Cut-off Frequency	f _c	V _{CE} =5V, I _C =2mA R _L =100Ω, -3dB	-	80	-	kHz
	Rise Time	t _r	V _{CE} =2V, I _C =2mA R _L =100Ω	-	5	18	μs
	Fall Time	t _f		-	4	18	μs
	Response Time	t _{on}		-	9	25	μs
t _{off}		-		6	25	μs	

NOTE1 : Rank Table of Current Transfer Ratio (Temperature=25°C)

Grade Sign	Min. (%)	Max. (%)
A	80	160
B	130	260
C	200	400
D	300	600
E	100	200
F	150	300

ORDERING AND MARKING INFORMATION

MARKING INFORMATION			
		JOC : Company Abbr. 816 : Part Number X : CTR Rank F : Leadframe Option V : VDE Option Y : Fiscal Year A : Manufacturing Code WW : Work Week	
ORDERING INFORMATION			
JOC816X1(Y)(Z)-FGV			
JOC – Company Abbr. 816 – Part Number X1 – Rank (A1/B1/C1/D1/E1/F1) Y – Lead Form Option (M/S/SL/SLM/None) Z – Tape and Reel Option (T1/T2/T3/T4) F – Leadframe Option (F:Iron, None:Copper) G – Green V – VDE Option (V or None)			
Packing Quantity			
Option	Quantity	Quantity – Inner box	Quantity –Outer box
None/M	100 Units/Tube	32 Tubes/Inner box	10 Inner box/Outer box =32k Units
S(T1/T2)	1500 Units/Reel	3 Reels/Inner box	5 Inner box/Outer box =22.5k Units
S(T3/T4)	1000 Units/Reel	3 Reels/Inner box	5 Inner box/Outer box =15k Units
SL(T1/T2)	1500 Units/Reel	3 Reels/Inner box	5 Inner box/Outer box =22.5k Units
SL(T3/T4)	1000 Units/Reel	3 Reels/Inner box	5 Inner box/Outer box =15k Units
SLM(T1/T2)	1500 Units/Reel	3 Reels/Inner box	5 Inner box/Outer box =22.5k Units

Characteristics Curves

FIG.1: Forward Current vs. Ambient Temperature

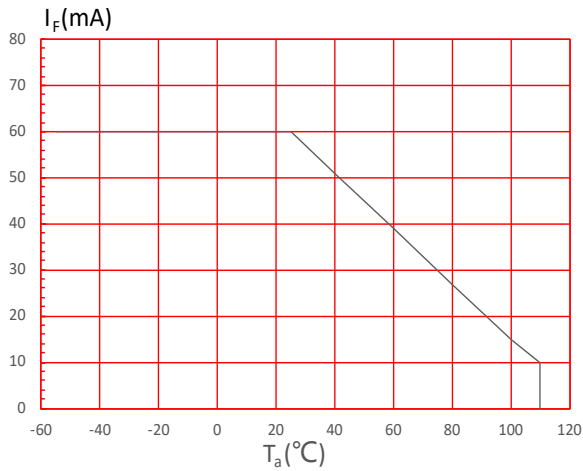


FIG.2: Collector Power Dissipation vs. Ambient Temperature

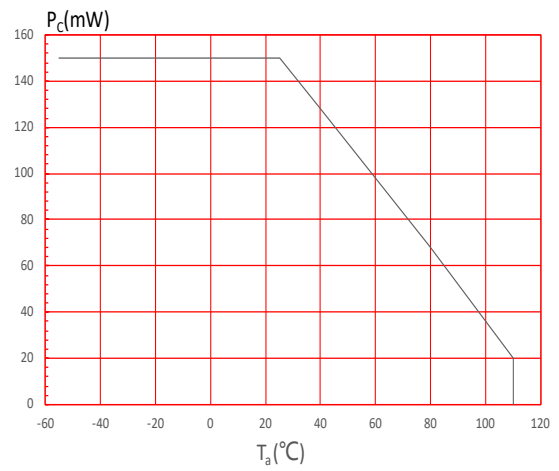


FIG.3: Forward Current vs. Forward Voltage

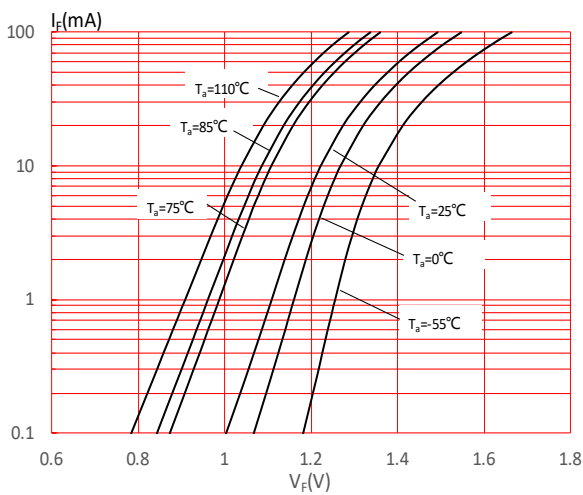


FIG.4: Normalized Collector Dark Current vs. Ambient Temperature

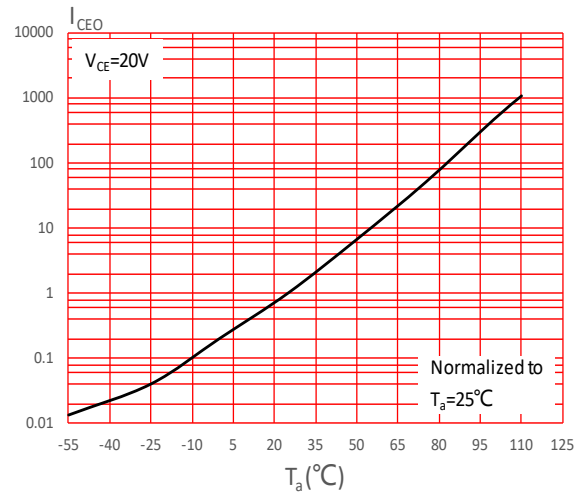


FIG.5: Collector Current vs. Collector-emitter Voltage

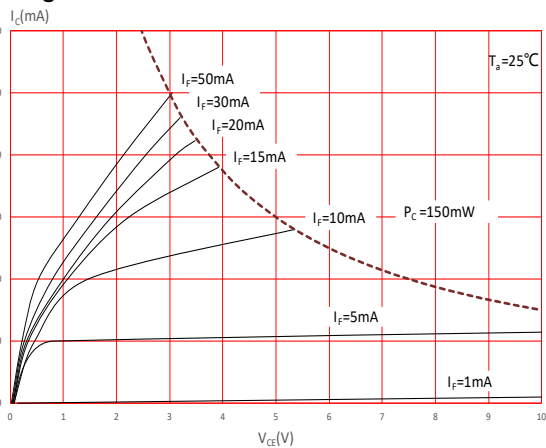


FIG.6: Normalized Current Transfer Ratio vs. Forward Current

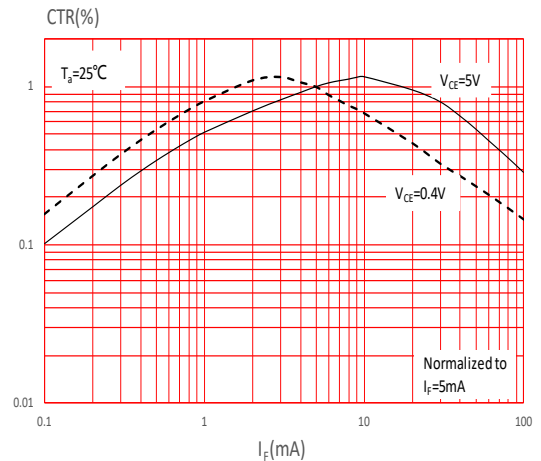


FIG.7: Normalized Current Transfer Ratio vs. Ambient Temperature

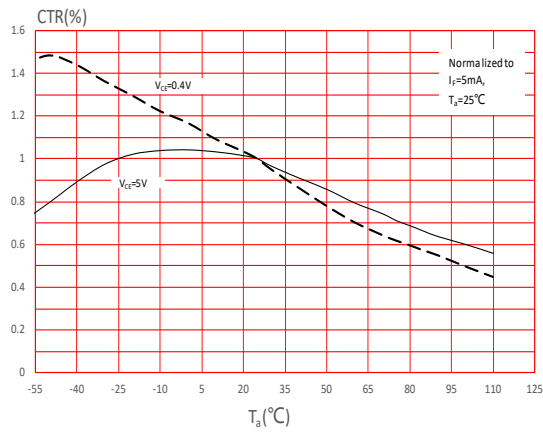


FIG.8: Normalized Collector-emitter Saturation Voltage vs. Ambient Temperature

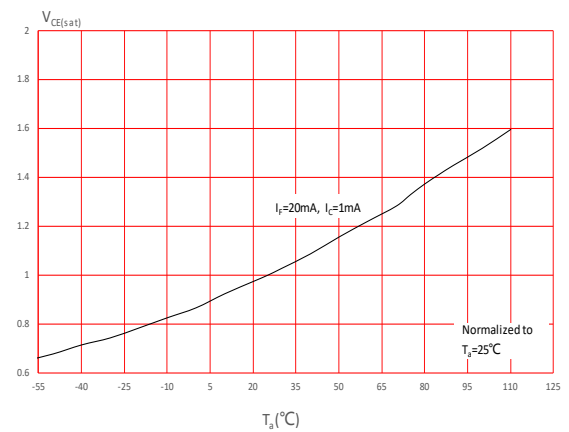


FIG.9: Response Time vs. Load Resistance

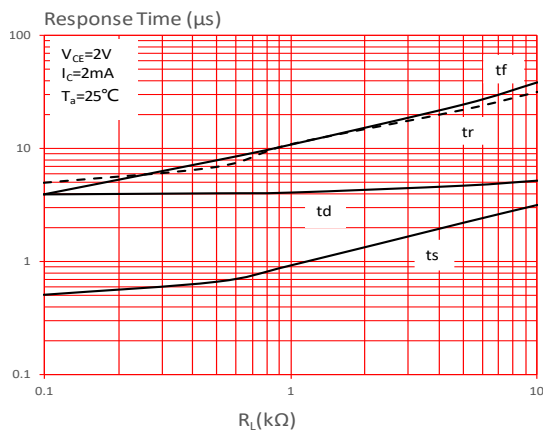
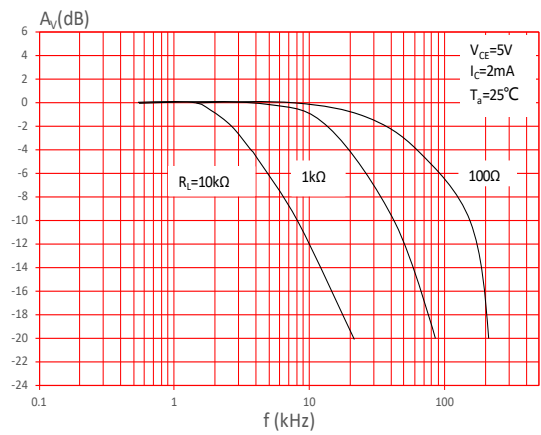


FIG.10: Frequency Response



Test Circuits

FIG.11: Test Circuits of Response Time

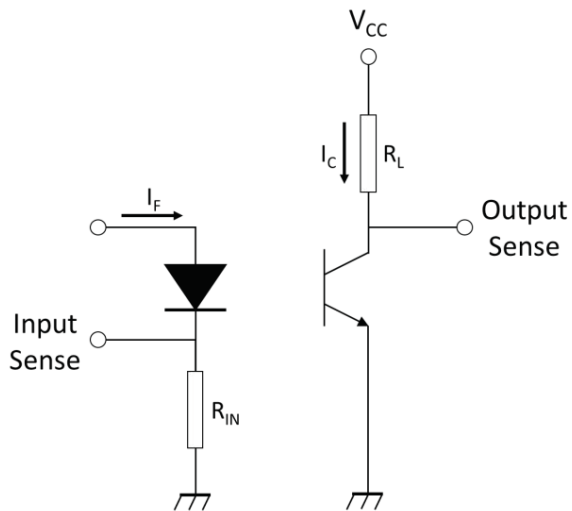


FIG.12: Curves of Response Time

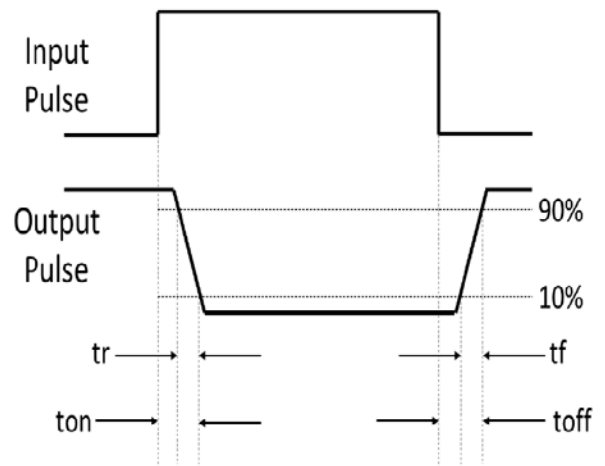
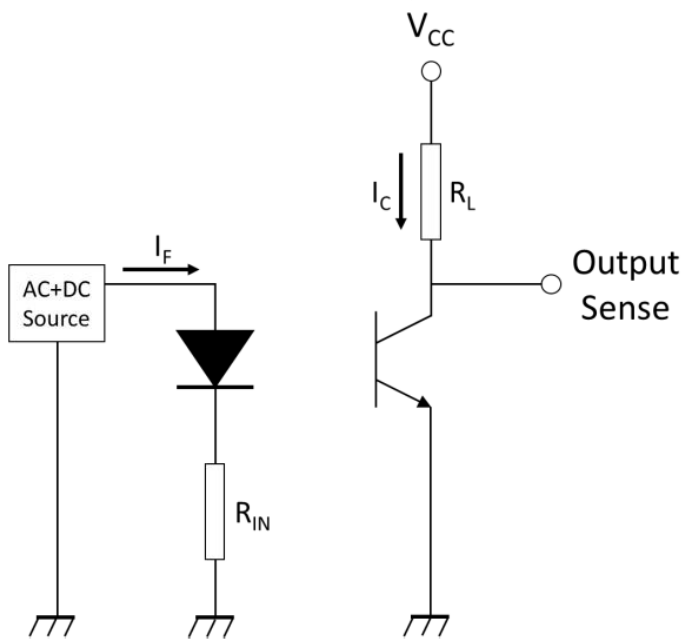
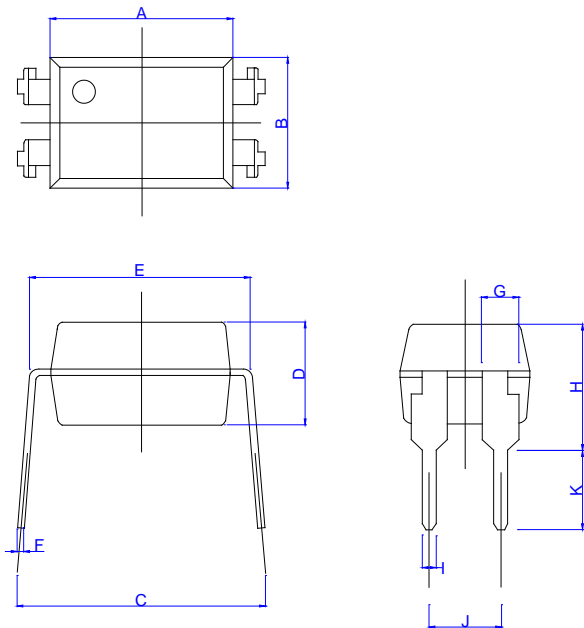


FIG.13: Test Circuits of Frequency Response



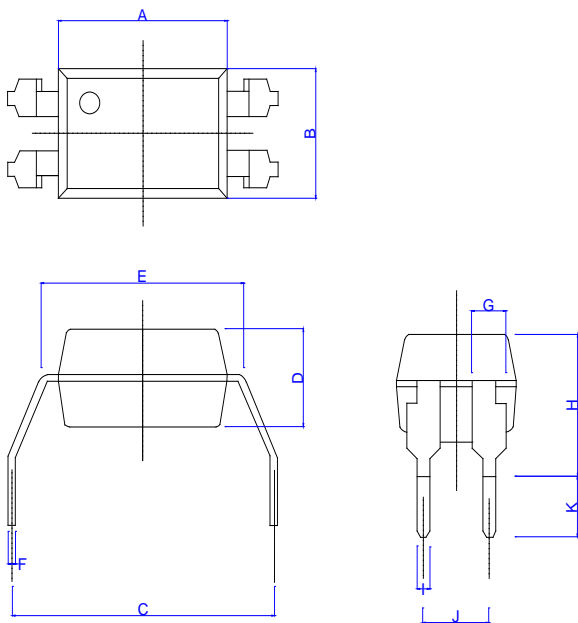
Package Dimension (Unit: mm)

Standard DIP Type:



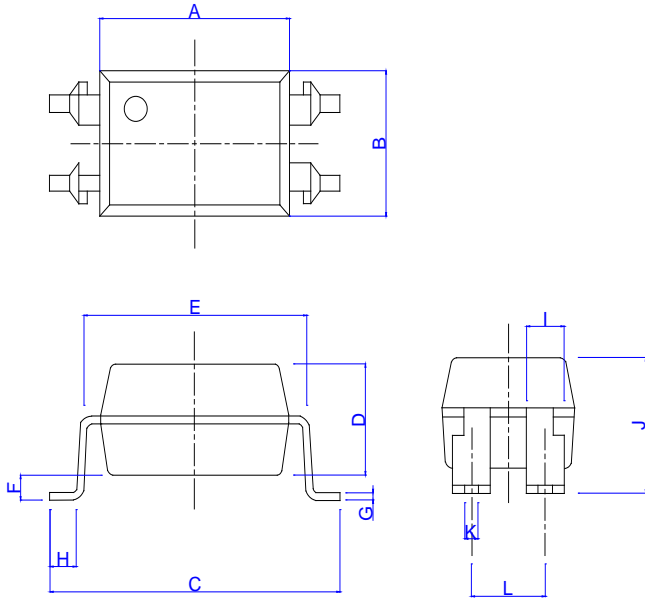
Ref.	Dimensions					
	Millimeters			Inches		
	Min.	Typ.	Max.	Min.	Typ.	Max.
A	6.00		7.00	0.236		0.276
B	4.08		5.08	0.161		0.200
C	7.62		10.16	0.300		0.400
D	3.00		4.00	0.118		0.157
E	7.32		7.92	0.288		0.312
F	0.15		0.36	0.006		0.014
G	0.90		1.50	0.035		0.059
H	3.50		4.80	0.138		0.189
I	0.40		0.60	0.016		0.024
J	2.29		2.79	0.090		0.110
K	2.45		3.50	0.096		0.138

Option M Type:



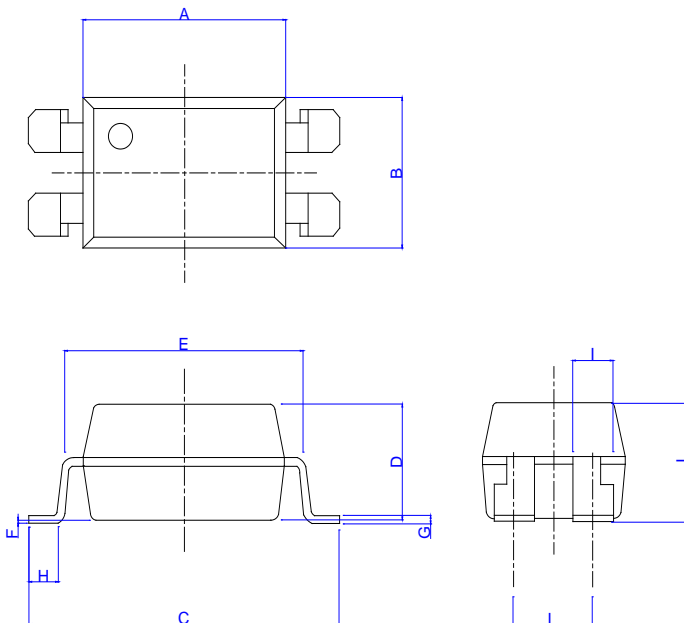
Ref.	Dimensions					
	Millimeters			Inches		
	Min.	Typ.	Max.	Min.	Typ.	Max.
A	6.20		6.80	0.244		0.268
B	4.10		4.90	0.161		0.193
C	9.66		10.66	0.380		0.420
D	3.00		4.00	0.118		0.157
E	7.32		7.92	0.288		0.312
F	0.15		0.36	0.006		0.014
G	0.90		1.50	0.036		0.059
H	4.16		4.88	0.164		0.192
I	0.40		0.60	0.016		0.024
J	2.29		2.79	0.090		0.110
K	2.00		2.70	0.079		0.106

Option S Type:



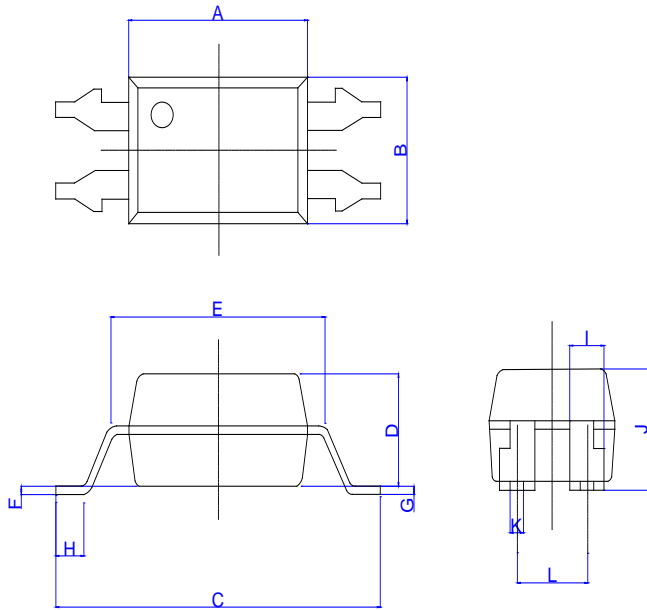
Ref.	Dimensions					
	Millimeters			Inches		
	Min.	Typ.	Max.	Min.	Typ.	Max.
A	6.20		6.80	0.244		0.268
B	4.30		4.90	0.169		0.193
C	9.85		10.50	0.388		0.413
D	3.20		3.80	0.126		0.150
E	7.32		7.92	0.288		0.312
F	0.00		1.00	0.000		0.039
G	0.15		0.35	0.006		0.014
H	0.50		1.10	0.020		0.043
I	1.10		1.50	0.043		0.059
J	3.50		4.80	0.138		0.189
K	0.40		0.60	0.016		0.024
L	2.29		2.79	0.090		0.110

Option SL Type:



Ref.	Dimensions					
	Millimeters			Inches		
	Min.	Typ.	Max.	Min.	Typ.	Max.
A	6.00		7.00	0.236		0.276
B	4.08		5.08	0.161		0.200
C	9.50		10.50	0.374		0.413
D	3.00		4.00	0.118		0.157
E	7.32		7.92	0.288		0.312
F	0.00		0.60	0.000		0.024
G	0.15		0.36	0.006		0.014
H	0.50		1.40	0.020		0.055
I	0.90		1.50	0.035		0.059
J	3.20		4.35	0.126		0.171
L	2.29		2.79	0.090		0.110

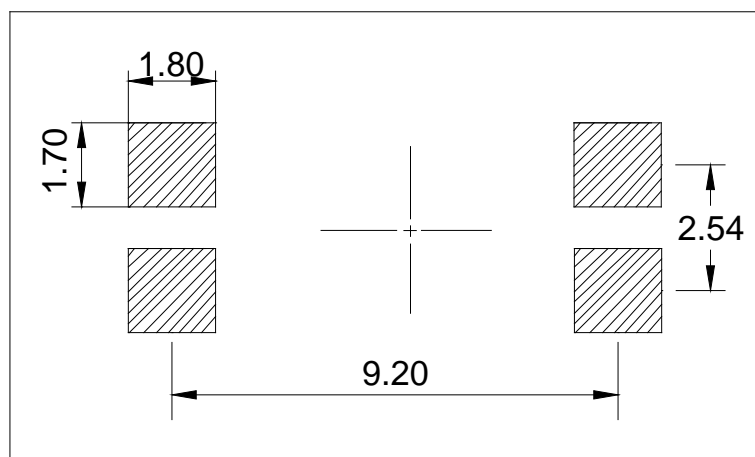
Option SLM Type:



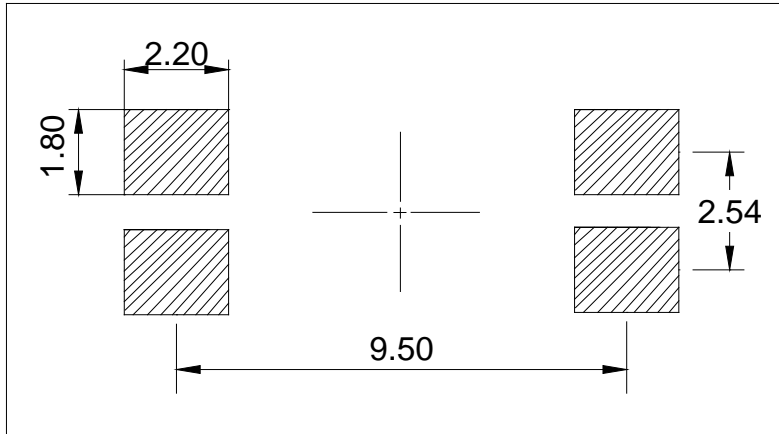
Ref.	Dimensions					
	Millimeters			Inches		
	Min.	Typ.	Max.	Min.	Typ.	Max.
A	6.30		6.70	0.248		0.264
B	4.38		4.78	0.172		0.188
C	11.60		12.10	0.457		0.476
D	3.30		3.70	0.130		0.146
E	7.32		7.92	0.288		0.312
F	0.00		0.30	0.000		0.012
G	0.20		0.30	0.008		0.012
H	0.50		0.90	0.020		0.035
I	1.15		1.35	0.045		0.053
J	3.45		3.85	0.136		0.152
K	0.45		0.55	0.018		0.022
L	2.34		2.74	0.092		0.108

RECOMMENDED SOLDER MASK (Dimensions in mm unless otherwise stated)

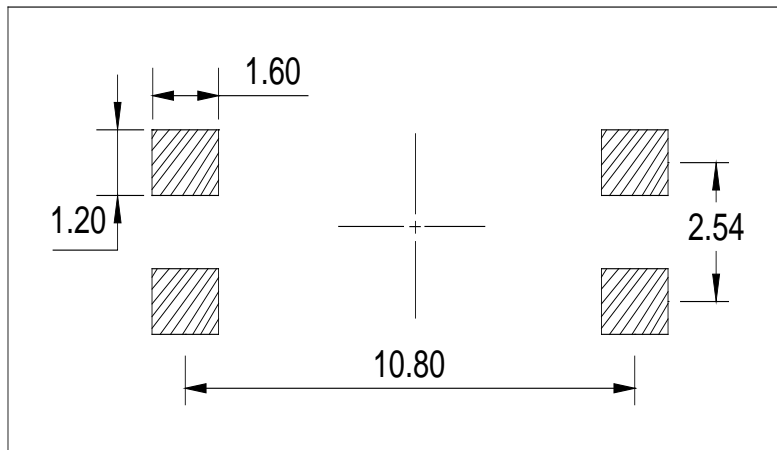
Option S



Option SL

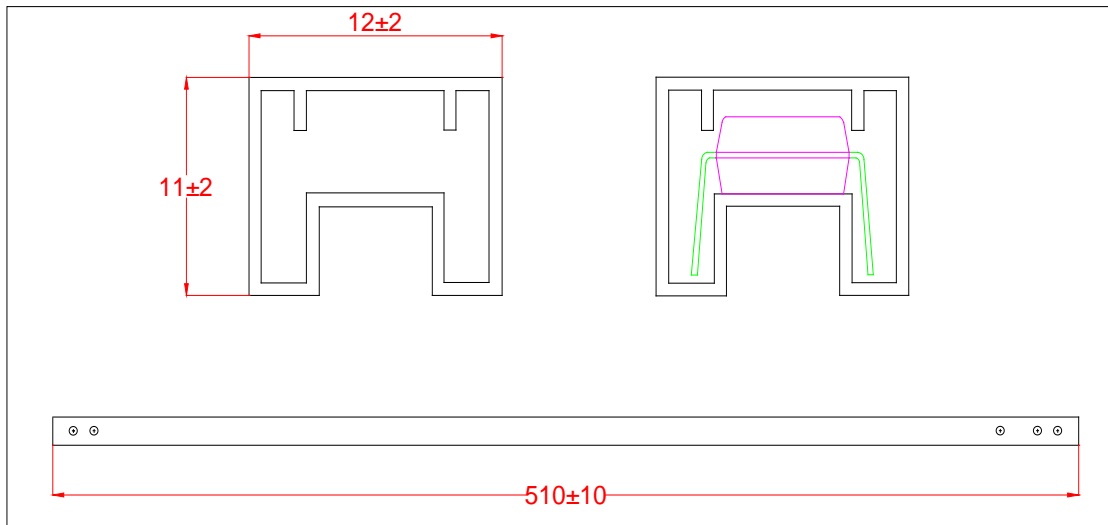


Option SLM

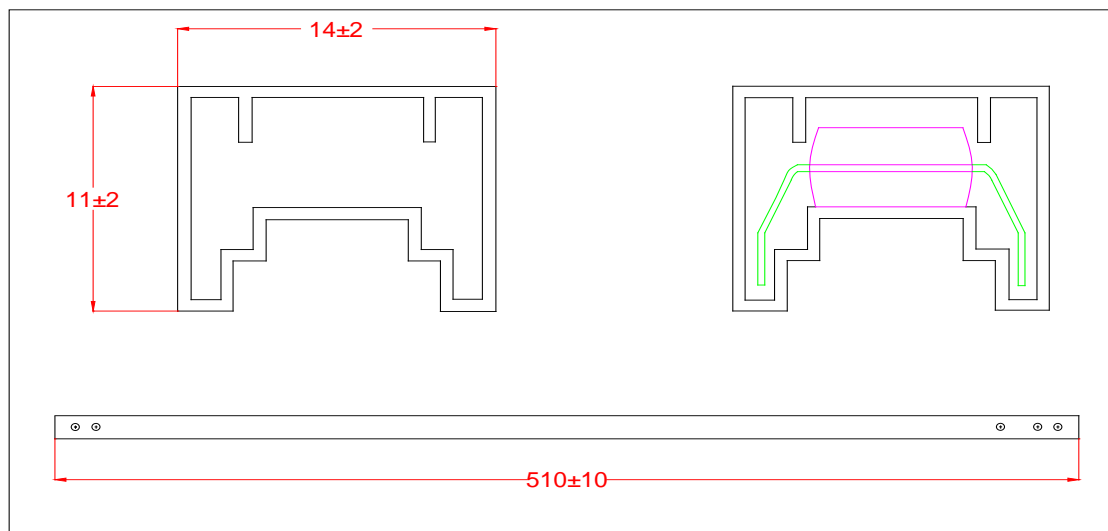


TUBE SPECIFICATIONS (Dimensions in mm unless otherwise stated)

Standard DIP

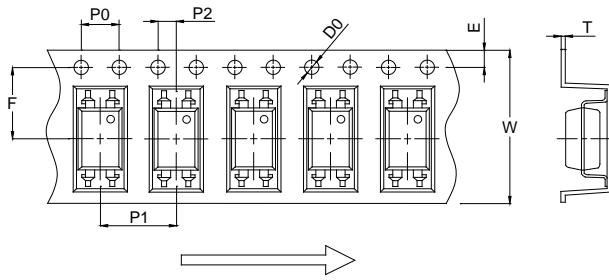


Option M

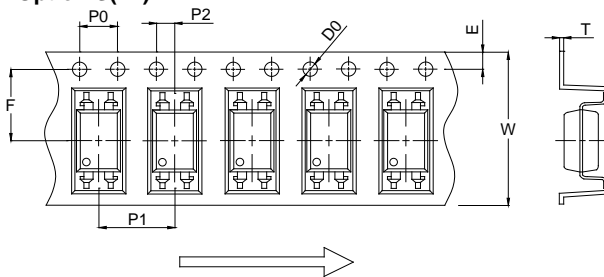


CARRIER TAPE SPECIFICATIONS (Dimensions in mm unless otherwise stated)

Option S(T1)

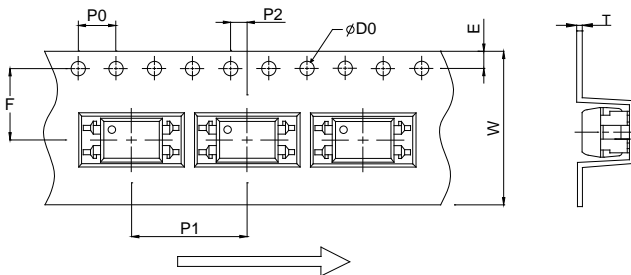


Option S(T2)

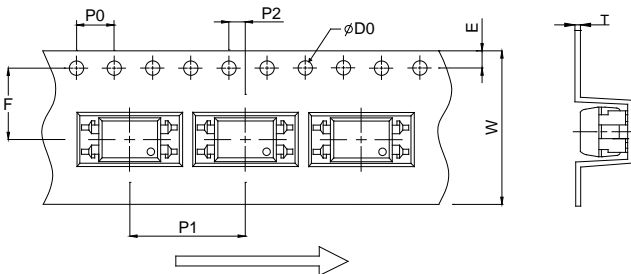


Ref.	Dimensions					
	Millimeters			Inches		
	Min.	Typ.	Max.	Min.	Typ.	Max.
D0		1.50	1.65		0.059	0.065
P0	3.90	4.00	4.10	0.154	0.157	0.161
P1	7.90	8.00	8.10	0.311	0.315	0.319
P2	1.90	2.00	2.10	0.075	0.079	0.083
E	1.65	1.75	1.85	0.065	0.069	0.073
F	7.40	7.50	7.60	0.291	0.295	0.299
T	0.30	0.40	0.50	0.012	0.016	0.020
W	15.70	16.00	16.30	0.618	0.630	0.642

Option S(T3)

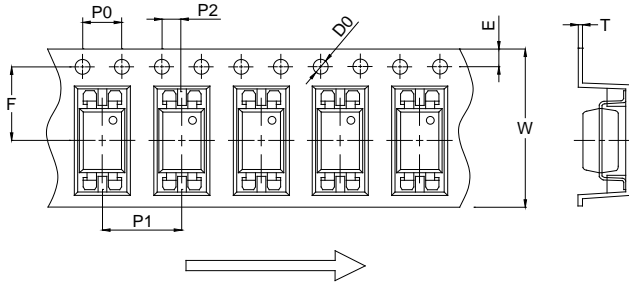


Option S(T4)

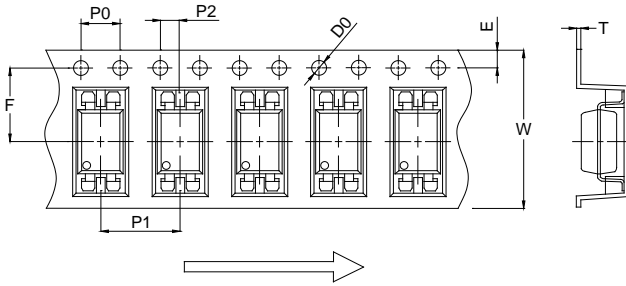


Ref.	Dimensions					
	Millimeters			Inches		
	Min.	Typ.	Max.	Min.	Typ.	Max.
D0		1.50	1.65		0.059	0.065
P0	3.90	4.00	4.10	0.154	0.157	0.161
P1	11.90	12.00	12.10	0.469	0.472	0.476
P2	1.90	2.00	2.10	0.075	0.079	0.083
E	1.65	1.75	1.85	0.065	0.069	0.073
F	7.40	7.50	7.60	0.291	0.295	0.299
T	0.30	0.40	0.50	0.012	0.016	0.020
W	15.70	16.00	16.30	0.618	0.630	0.642

Option SL(T1)

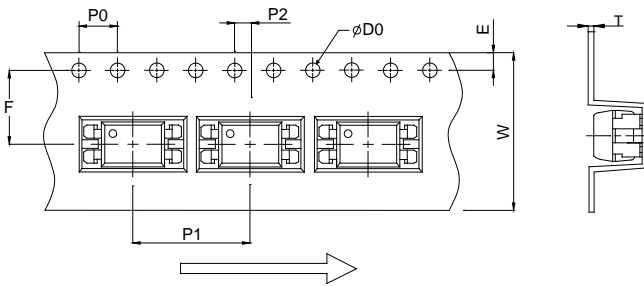


Option SL(T2)

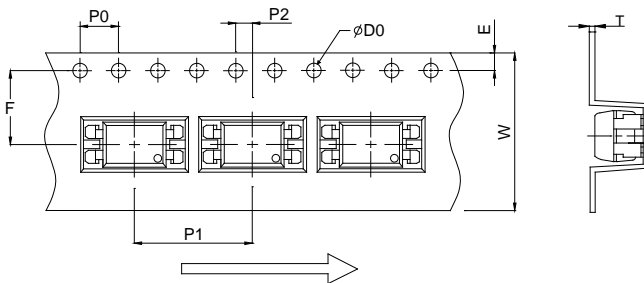


Ref.	Dimensions					
	Millimeters			Inches		
	Min.	Typ.	Max.	Min.	Typ.	Max.
D0		1.50	1.60		0.059	0.065
P0	3.90	4.00	4.10	0.154	0.157	0.161
P1	7.90	8.00	8.10	0.311	0.315	0.319
P2	1.90	2.00	2.10	0.075	0.079	0.083
E	1.65	1.75	1.85	0.065	0.069	0.073
F	7.40	7.50	7.60	0.291	0.295	0.299
T	0.35	0.40	0.45	0.014	0.016	0.018
W	15.70	16.00	16.30	0.618	0.630	0.642

Option SL(T3)

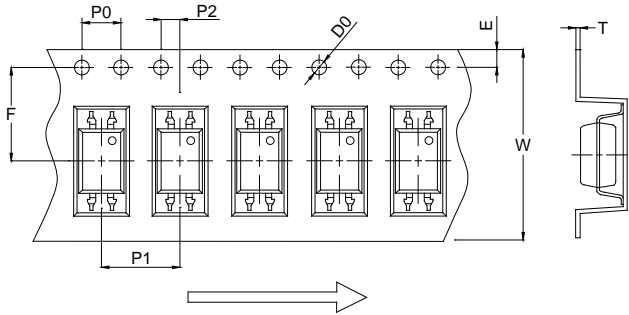


Option SL(T4)

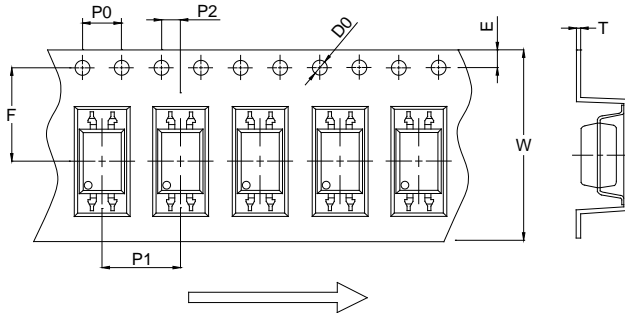


Ref.	Dimensions					
	Millimeters			Inches		
	Min.	Typ.	Max.	Min.	Typ.	Max.
D0		1.50	1.60		0.059	0.063
P0	3.90	4.00	4.10	0.154	0.157	0.161
P1	11.90	12.00	12.10	0.469	0.472	0.476
P2	1.90	2.00	2.10	0.075	0.079	0.083
E	1.65	1.75	1.85	0.065	0.069	0.073
F	7.40	7.50	7.60	0.291	0.295	0.299
T	0.35	0.45	0.55	0.014	0.018	0.022
W	15.70	16.00	16.30	0.618	0.630	0.642

Option SLM(T1)

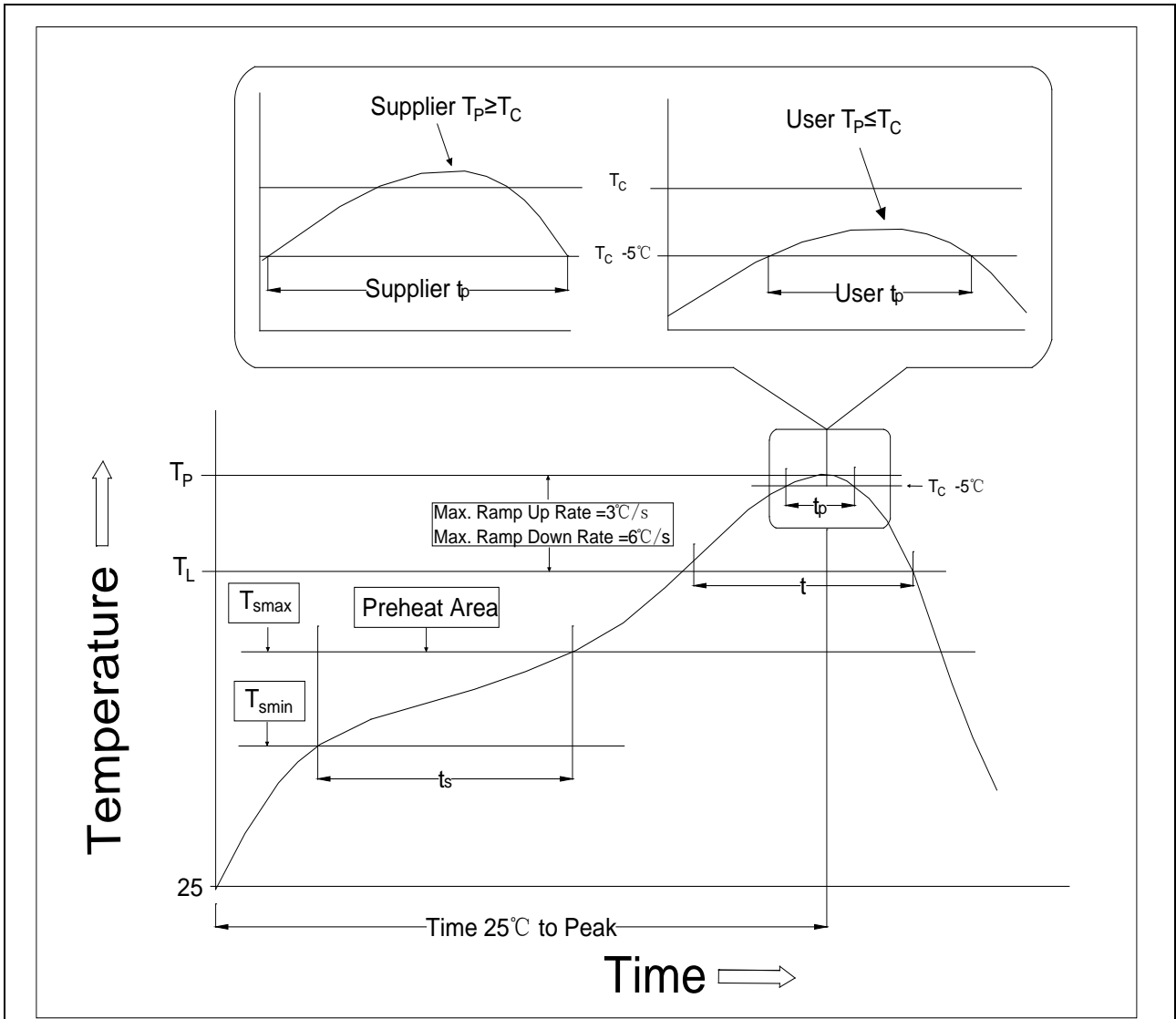


Option SLM(T2)



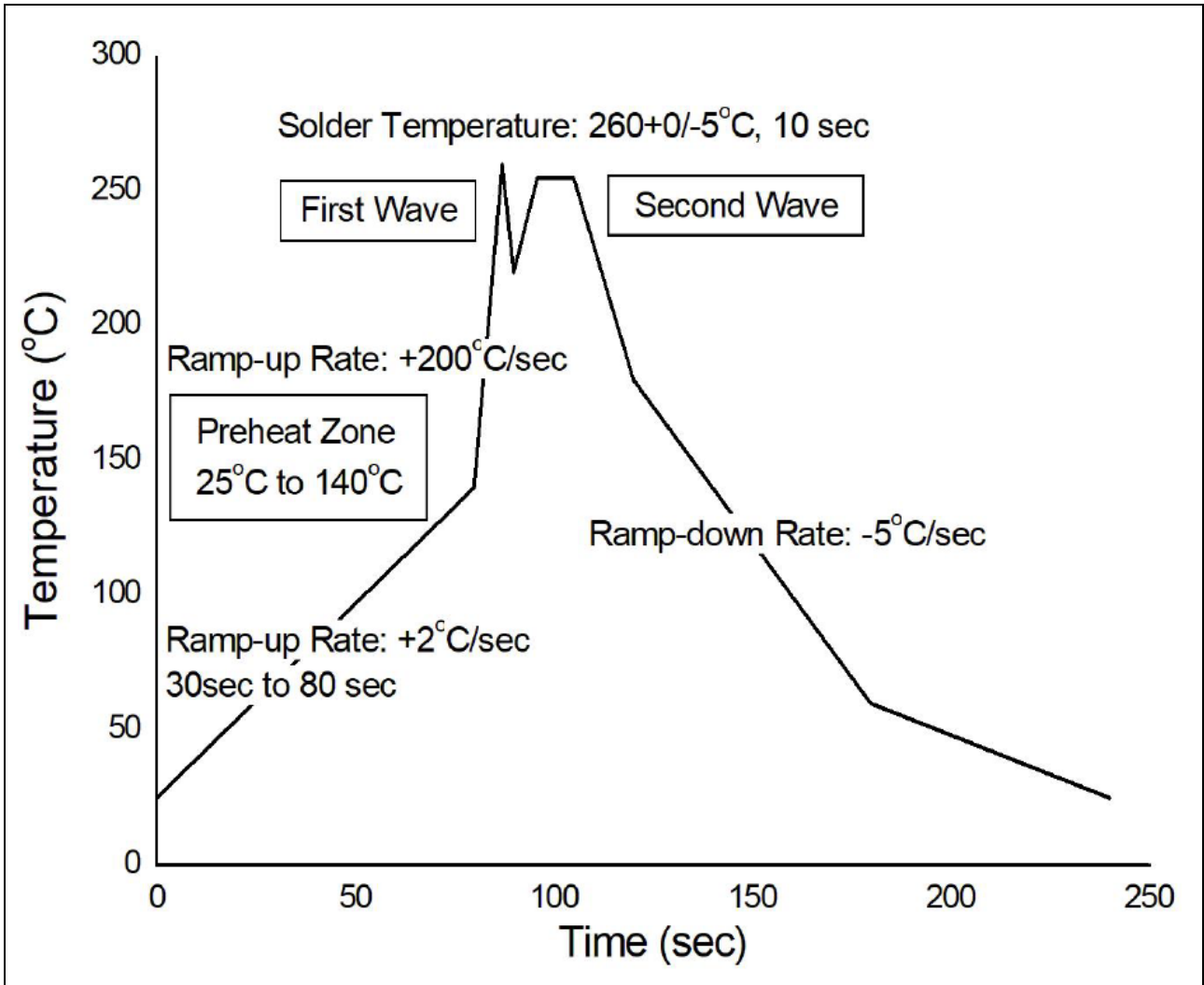
Ref.	Dimensions					
	Millimeters			Inches		
	Min.	Typ.	Max.	Min.	Typ.	Max.
D0		1.50	1.60		0.059	0.063
P0	3.90	4.00	4.10	0.154	0.157	0.161
P1	7.90	8.00	8.10	0.311	0.315	0.319
P2	1.90	2.00	2.10	0.075	0.079	0.083
E	1.65	1.75	1.85	0.065	0.069	0.073
F	11.45	11.50	11.55	0.451	0.453	0.455
T	0.35	0.40	0.55	0.014	0.016	0.022
W	23.70	24.00	24.30	0.933	0.945	0.957

REFLOW INFORMATION



Profile Feature	Sn-Pb Assembly Profile	Pb-Free Assembly Profile
Temperature Min. (T _{smin})	100	150°C
Temperature Max. (T _{smax})	150	200°C
Time (t _s) from (T _{smin} to T _{smax})	60-120 seconds	60-120 seconds
Ramp-up Rate (t _L to t _P)	3°C/second max.	3°C/second max.
Liquidus Temperature (T _L)	183°C	217°C
Time (t _L) Maintained Above (T _L)	60-150 seconds	60-150 seconds
Peak Body Package Temperature	235°C+0°C/-5°C	260°C+0°C/-5°C
Time (t _P) within 5°C of 260°C	20 seconds	30 seconds
Ramp-down Rate (T _P to T _L)	6°C/second max.	6°C/second max.
Time 25°C to Peak Temperature	6 minutes max.	8 minutes max.

WAVE SOLDERING



HAND SOLDERING BY SOLDERING IRON	
Soldering Temperature	360±5°C
Soldering Time	3s max.

Information furnished in this document is believed to be accurate and reliable. However, Jiangsu JieJie Microelectronics Co., Ltd. assumes no responsibility for the consequences of use without consideration for such information nor use beyond it. Information mentioned in this document is subject to change without notice, apart from that when an agreement is signed, Jiangsu JieJie complies with the agreement.

Products and information provided in this document have no infringement of patents. Jiangsu JieJie assumes no responsibility for any infringement of other rights of third parties which may result from the use of such products and information. This document supersedes and replaces all information previously supplied.



is a registered trademark of Jiangsu JieJie Microelectronics Co., Ltd.

Copyright © 2025 Jiangsu JieJie Microelectronics Co., Ltd. All rights reserved.