

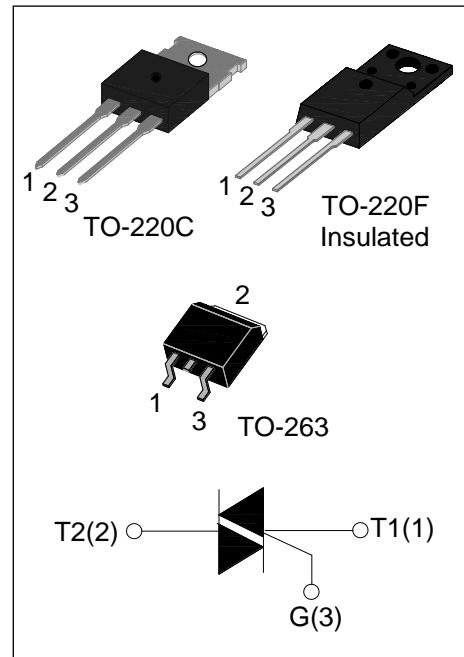


JST139 Series 16A TRIACs

Rev.3.0

DESCRIPTION:

JST139 series triacs with low holding and latching current are especially recommended for use on middle and small resistance type power load. JST139F provides insulation voltage rated at 2000V RMS from all three terminals to external heatsink complying with UL standards (File ref: E252906).



MAIN FEATURES

Symbol	Value	Unit
$I_{T(RMS)}$	16	A
V_{DRM}/V_{RRM}	600 and 800	V

ABSOLUTE MAXIMUM RATINGS

Parameter	Symbol	Value	Unit	
Storage junction temperature range	T_{stg}	-40-150	°C	
Operating junction temperature range	T_j	-40-125	°C	
Repetitive peak off-state voltage($T_j=25^\circ\text{C}$)	V_{DRM}	600/800	V	
Repetitive peak reverse voltage($T_j=25^\circ\text{C}$)	V_{RRM}	600/800	V	
Non repetitive surge peak Off-state voltage	V_{DSM}	$V_{DRM} + 100$	V	
Non repetitive peak reverse voltage	V_{RSM}	$V_{RRM} + 100$	V	
RMS on-state current	TO-220C($T_C=100^\circ\text{C}$)	$I_{T(RMS)}$	16	A
	TO-220F(Ins) ($T_C=85^\circ\text{C}$)			
	TO-263 ($T_C=110^\circ\text{C}$)			
Non repetitive surge peak on-state current ($t_p=20\text{ms}$)	I_{TSM}	140	A	
I^2t value for fusing ($t_p=10\text{ms}$)	I^2t	98	A^2s	
Critical rate of rise of on-state current ($I_G=2 \times I_{GT}$)	di/dt	50	$\text{A}/\mu\text{s}$	
Peak gate current	I_{GM}	2	A	

Average gate power dissipation	$P_{G(AV)}$	0.5	W
Peak gate power	P_{GM}	5	W

ELECTRICAL CHARACTERISTICS ($T_j=25^{\circ}C$ unless otherwise specified)

Symbol	Test Condition	Quadrant		Value			Unit
				D	E	F	
I_{GT}	$V_D=12V R_L=33\Omega$	I - II -III	MAX	5	10	25	mA
		IV		10	25	70	
V_{GT}		ALL	MAX	1.5			V
V_{GD}	$V_D=V_{DRM} T_j=125^{\circ}C$ $R_L=3.3K\Omega$	ALL	MIN	0.2			V
I_L	$I_G=1.2I_{GT}$	I - III	MAX	15	30	40	mA
		II - IV		20	40	60	
I_H	$I_T=100mA$		MAX	10	25	30	mA
dV/dt	$V_D=2/3V_{DRM}$ Gate Open $T_j=125^{\circ}C$		MIN	5	10	50	V/ μs

STATIC CHARACTERISTICS

Symbol	Parameter		Value(MAX)	Unit
V_{TM}	$I_{TM}=20A t_p=380\mu s$	$T_j=25^{\circ}C$	1.65	V
I_{DRM}	$V_D=V_{DRM} V_R=V_{RRM}$	$T_j=25^{\circ}C$	5	μA
I_{RRM}		$T_j=125^{\circ}C$	1	mA

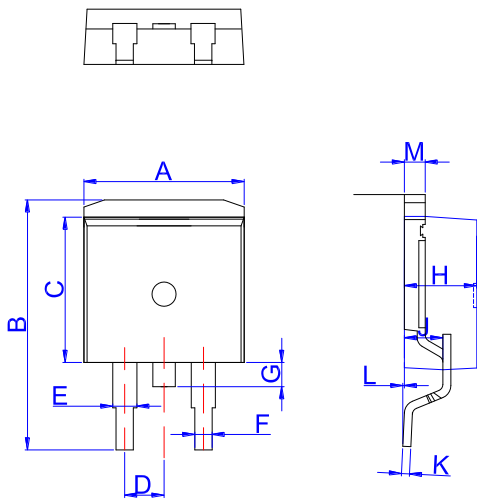
THERMAL RESISTANCES

Symbol	Parameter		Value	Unit
$R_{th(j-c)}$	junction to case(AC)	TO-220C	3.0	$^{\circ}C/W$
		TO-220F(Ins)	3.7	
		TO-263	2.1	

ORDERING INFORMATION

JieJie Microelectronics Co.,Ltd	J	ST	139	C	-600	E
	TRIACs		$I_{T(RMS)}:16A$	600: $V_{DRM}/V_{RRM} \geq 600V$ 800: $V_{DRM}/V_{RRM} \geq 800V$		D: $I_{GT1-3} \leq 5mA$ $I_{GT4} \leq 10mA$ E: $I_{GT1-3} \leq 10mA$ $I_{GT4} \leq 25mA$ F: $I_{GT1-3} \leq 25mA$ $I_{GT4} \leq 70mA$
				F:TO-220F(Ins) C:TO-220C E:TO-263		

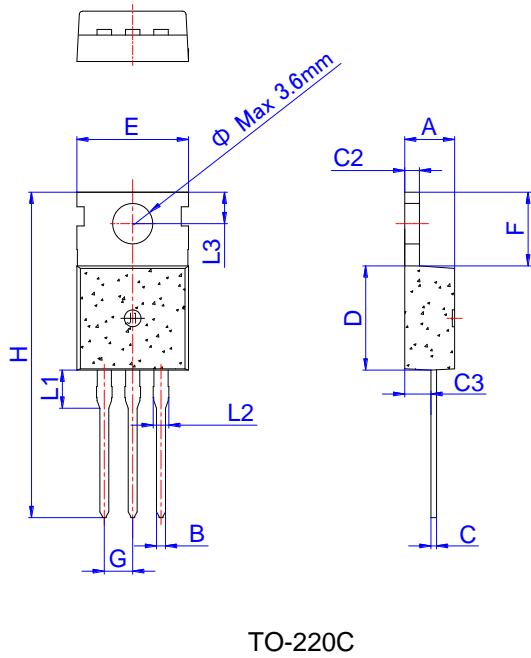
PACKAGE MECHANICAL DATA



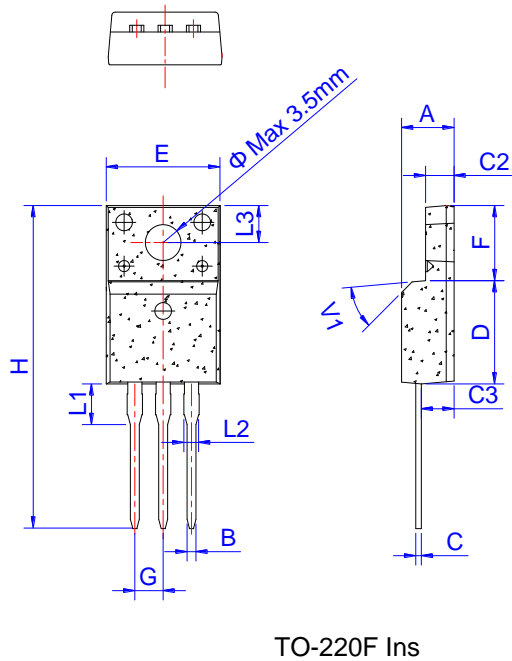
TO-263

Ref.	Dimensions					
	Millimeters			Inches		
	Min.	Typ.	Max.	Min.	Typ.	Max.
A	9.90		10.20	0.390		0.402
B	14.70		15.80	0.579		0.622
C	9.4		9.6	0.37		0.378
D		2.54			0.100	
E	1.20		1.40	0.047		0.055
F	0.75		0.85	0.029		0.033
G			1.75			0.069
H	4.40		4.70	0.173		0.185
J	2.30		2.70	0.091		0.106
K	0.38		0.55	0.015		0.022
L	0	0.10	0.25	0	0.004	0.010
M	1.25		1.35	0.049		0.053

PACKAGE MECHANICAL DATA



Ref.	Dimensions					
	Millimeters			Inches		
	Min.	Typ.	Max.	Min.	Typ.	Max.
A	4.40		4.60	0.173		0.181
B	0.70		0.90	0.028		0.035
C	0.45		0.60	0.018		0.024
C2	1.23		1.32	0.048		0.052
C3	2.20		2.60	0.087		0.102
D	8.90		9.90	0.350		0.390
E	9.90		10.3	0.390		0.406
F	6.30		6.90	0.248		0.272
G		2.54			0.1	
H	28.0		29.8	1.102		1.173
L1		3.39			0.133	
L2	1.14		1.70	0.045		0.067
L3	2.65		2.95	0.104		0.116
Φ		3.6			0.142	



Ref.	Dimensions					
	Millimeters			Inches		
	Min.	Typ.	Max.	Min.	Typ.	Max.
A	4.40		4.80	0.173		0.189
B	0.74	0.80	0.83	0.029	0.031	0.033
C	0.48		0.75	0.019		0.030
C2	2.40		2.70	0.094		0.106
C3	2.60		3.00	0.102		0.118
D	8.80		9.30	0.346		0.366
E	9.70		10.3	0.382		0.406
F	6.40		7.00	0.252		0.276
G		2.54			0.1	
H	28.0		29.8	1.102		1.173
L1		3.63			0.143	
L2	1.14		1.70	0.045		0.067
L3		3.30			0.130	
V1		45°			45°	

FIG.1 Maximum power dissipation versus RMS on-state current

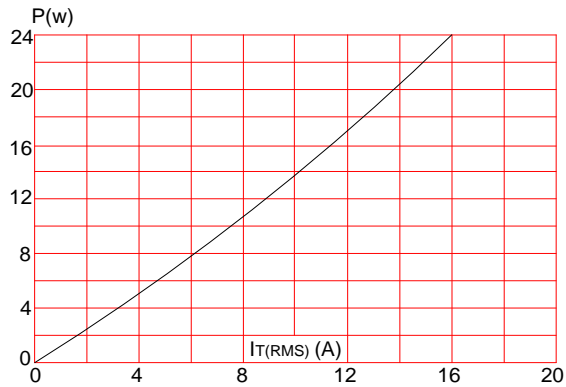


FIG.2: RMS on-state current versus case temperature

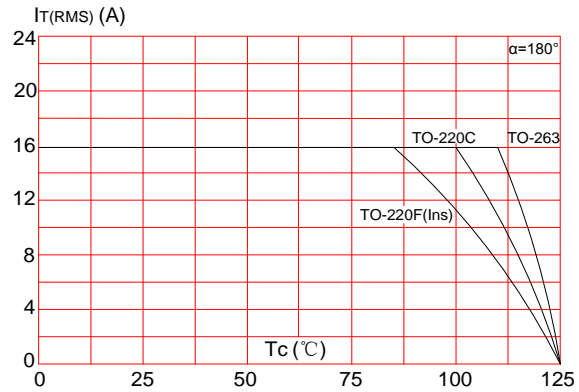


FIG.3: Surge peak on-state current versus number of cycles

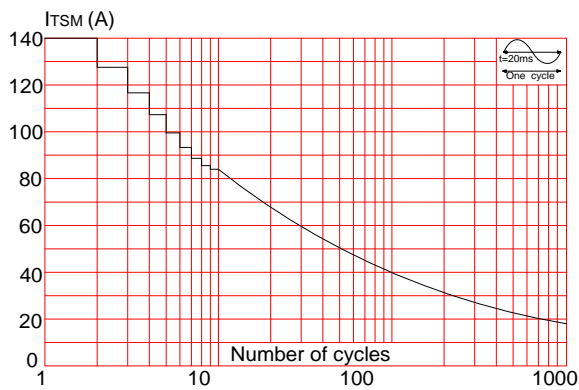


FIG.4: On-state characteristics (maximum values)

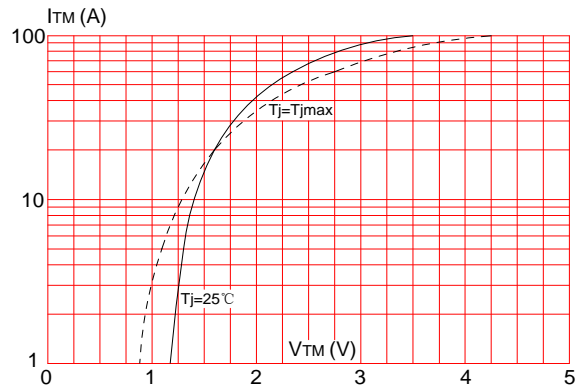


FIG.5: Non-repetitive surge peak on-state current for a sinusoidal pulse with width $t_p < 20ms$, and corresponding value of $I \dot{t}$ ($dI/dt < 50A/\mu s$)

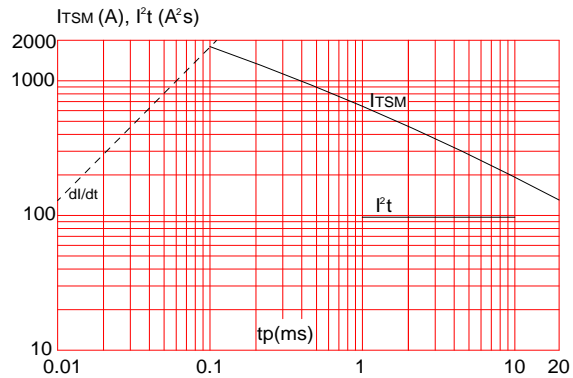


FIG.6: Relative variations of gate trigger current versus junction temperature

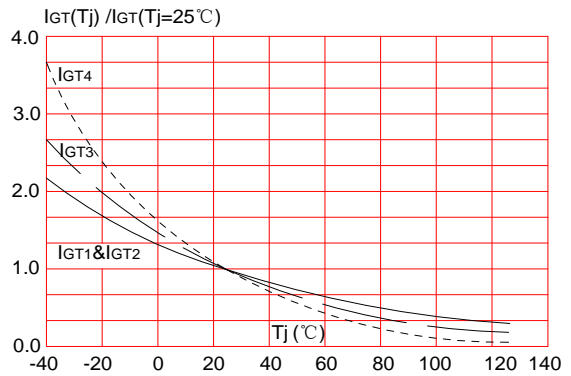


FIG.7: Relative variations of holding current versus junction temperature

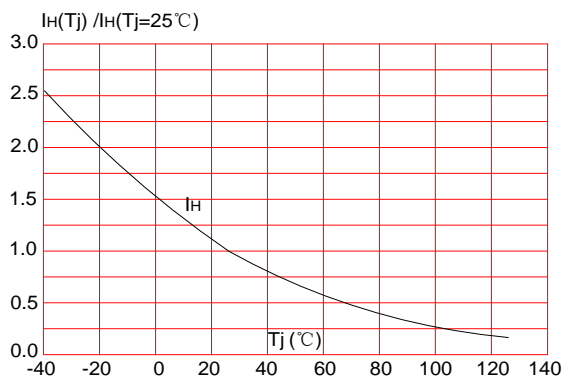
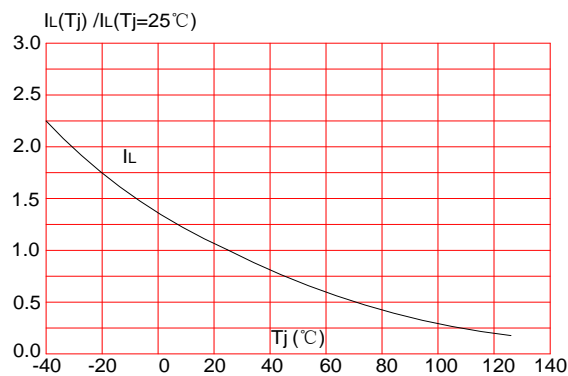


FIG.8: Relative variations of latching current versus junction temperature



Information furnished in this document is believed to be accurate and reliable. However, Jiangsu JieJie Microelectronics Co.,Ltd assumes no responsibility for the consequences of use without consideration for such information nor use beyond it. Information mentioned in this document is subject to change without notice, apart from that when an agreement is signed, Jiangsu JieJie complies with the agreement. Products and information provided in this document have no infringement of patents. Jiangsu JieJie assumes no responsibility for any infringement of other rights of third parties which may result from the use of such products and information. This document is the third version which is made in 10-June-2015. This document supersedes and replaces all information previously supplied.



is a registered trademark of Jiangsu JieJie Microelectronics Co.,Ltd.

Copyright ©2015 Jiangsu JieJie Microelectronics Co.,Ltd. Printed All rights reserved.