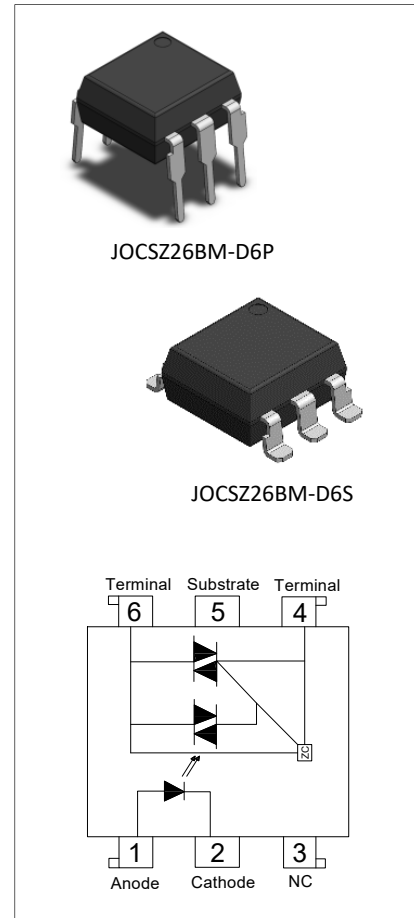


DESCRIPTION:

The products are 6-pin solid-state relay opto-couplers. The device combines an AlGaAs infrared emitting diode as the emitter which is optically coupled to a monolithic silicon zero-crossing photo triac to drive a power triac in a plastic DIP6 package with different lead forming options.

The products are widely used in solenoid/valve controls, lighting controls, motor controls, temperature controls, static AC power switches, solid state relays, interfacing microprocessors to 265 V_{AC} peripherals.



MAIN FEATURES

- High isolation 5000 Vrms
- DC input with triac output
- Operating temperature range - 40°C to 110 °C
- REACH & RoHS compliance
- HBM: H3B; MM: M4; CDM: C3
- CQC approved
- VDE approved
- UL approved

ABSOLUTE MAXIMUM RATINGS (Temperature=25°C)

| Parameter | | Symbol | Value | Unit |
|-----------|--|----------------------|----------------|------|
| Input | Forward Current | I _F | 50 | mA |
| | Peak Forward Current | I _{FP} | 1 ^① | A |
| | Reverse Voltage | V _R | 6 | V |
| | Power Dissipation | P _D | 75 | mW |
| Output | Repetitive peak off-state voltage | V _{DRM} | 600 | V |
| | Repetitive peak off-state voltage | V _{RRM} | 600 | V |
| | Critical rate of rise of on-state current | di/dt | 100 | A/μs |
| | On-state RMS Current (T _a ≤43°C) | I _{T(RMS)} | 0.6 | A |
| | Non repetitive surge peak on-state current (full cycle , t _p =20ms) | I _{TSM} | 6 | A |
| | junction to case (AC) | R _{th(j-c)} | 65 | °C/W |

| | | | |
|---|-----------|-------------------|------|
| Isolation Voltage | V_{iso} | 5000 ^② | Vrms |
| Operating Temperature | T_{opr} | -40~110 | °C |
| Junction Temperature | T_j | 125 | °C |
| Storage Temperature | T_{stg} | -40~125 | °C |
| Soldering Temperature | T_{sol} | 260 | °C |
| Peak pulse voltage ($T_j=25^{\circ}C$; non-repetitive,off-state) | V_{pp} | 3 | kV |

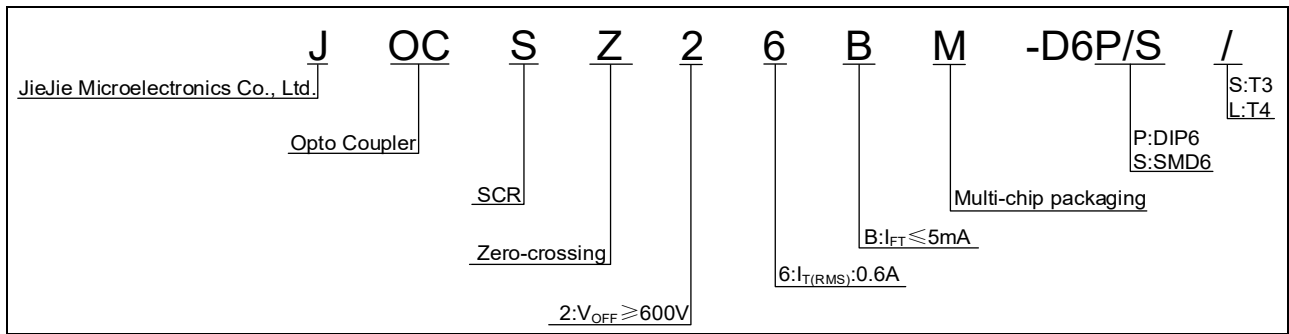
NOTE1: 100μs pulse, 100Hz frequency

NOTE2: AC for 1minute, R.H.=40~60%

ELECTRICAL CHARACTERISTICS (Temperature=25°C)

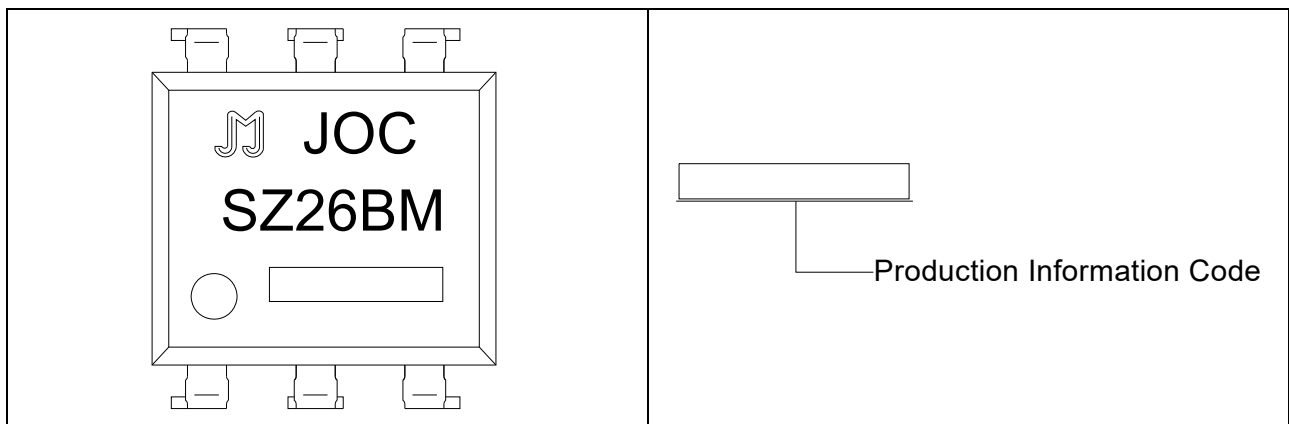
| Parameter | | Symbol | Condition | Min. | Typ. | Max. | Unit |
|--------------------------|--|------------|--|-----------|-----------|------|------|
| Input | Forward Voltage | V_F | $I_F=10mA$ | - | 1.2 | 1.5 | V |
| | Reverse Current | I_R | $V_R=6V$ | - | - | 1 | μA |
| Output | Peak Off-state Current, Either Direction | I_{DRM} | $V_{DRM} / V_{RRM} = 600V, I_F=0$ | - | - | 5 | μA |
| | | I_{RRM} | | - | - | 5 | |
| | Peak On-state Voltage, Either Direction | V_{TM} | $I_{TM}= I_{TM} \text{ Rated}$ | - | - | 1.7 | V |
| | Critical Rate of Rise of Off-state voltage | dV/dt | $V_D=400V, \text{ Gate Open } I_F=0, T_j=125^{\circ}C$ | 1000 | - | - | V/μs |
| | Critical Rate of Rise of Commutating Voltage | (dV/dt)c | (dI/dt)c = 1.5A/ms, $T_j=125^{\circ}C$ | 10 | - | - | V/μs |
| Transfer Characteristics | LED Trigger Current | I_{FT} | Terminal Voltage=6V $R_L=100\Omega$ | - | - | 5 | mA |
| | Holding Current | I_H | $V_D=6V$ | - | - | 25 | mA |
| | Isolation Resistance | R_{ISO} | DC500V 40~60%R.H. | 10^{12} | 10^{14} | - | Ω |
| | Response Time | t_{on} | $V_D=6V, R_L=100\Omega, I_F=20mA$ | - | 20 | 100 | μs |
| Zero Crossing | Inhibit Voltage | V_{IH} | $I_F=10mA$ | - | - | 20 | V |
| | Leakage in Inhibit State | I_{DRM2} | $I_F=10mA, V_{DRM}=600V$ | - | - | 500 | μA |

ORDERING INFORMATION



| Packing Quantity | | | |
|------------------|-----------------|----------------------|----------------------------------|
| Option | Quantity | Quantity – Inner box | Quantity –Outer box |
| DIP | 60 Units/Tube | 40 Tubes/Inner box | 5 Inner box/Outer box =12k Units |
| SMD | 1200 Units/Reel | 2 Reels/Inner box | 5 Inner box/Outer box =12k Units |

MARKING



Characteristics Curves

FIG.1: Max. Allowable LED Forward Current vs. Ambient Temperature

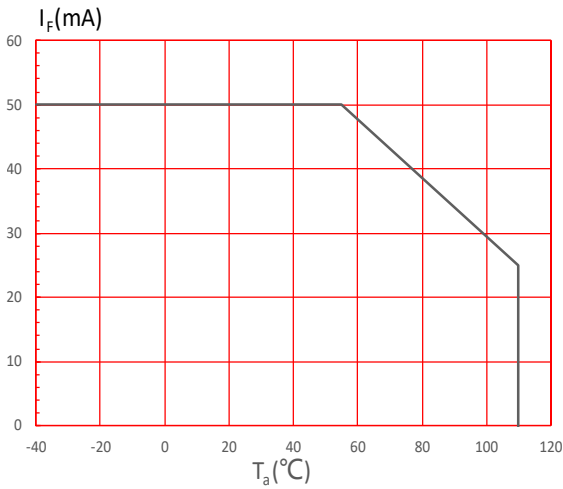


FIG.3: Forward Current vs. Forward Voltage

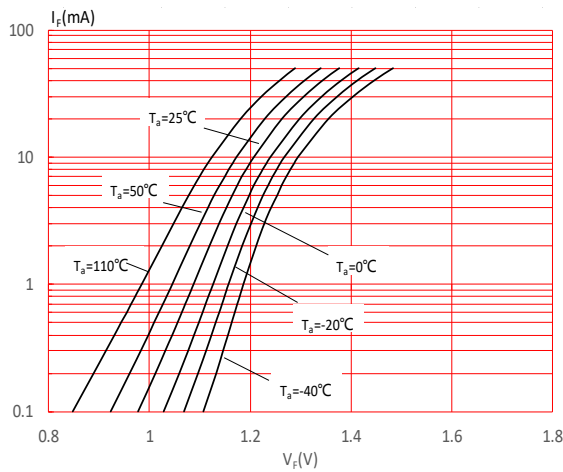


FIG.5: Off-state Terminal Current vs Off-state Terminal Voltage

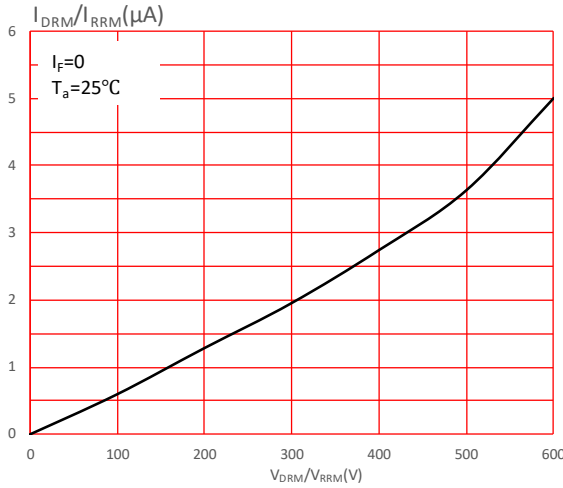


FIG.2: On-state Terminal Current vs. Ambient Temperature

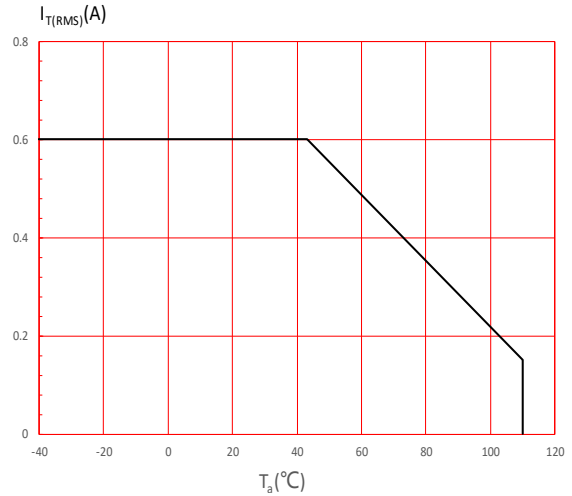


FIG.4: Forward Voltage vs. Ambient Temperature

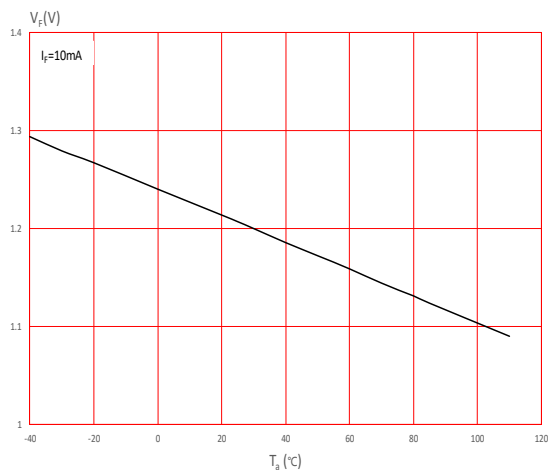


FIG.6: Normalized Trigger Current vs. Ambient Temperature

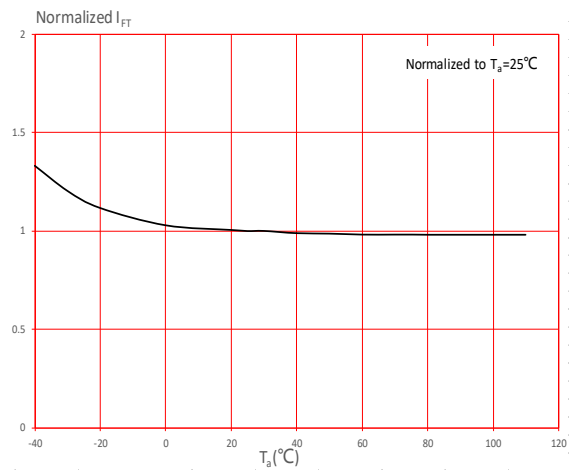


FIG.7: On-state characteristics

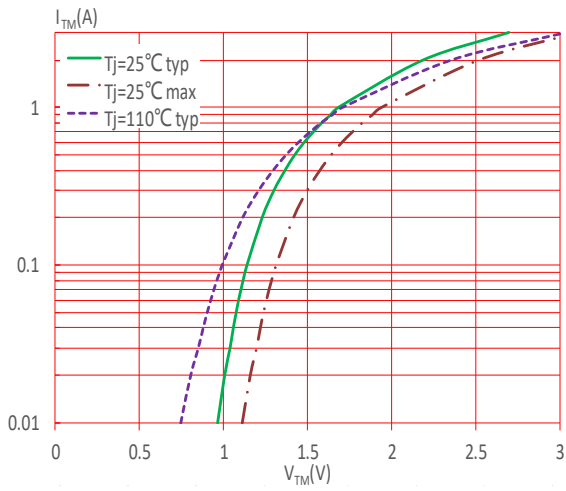


FIG.8: Normalized Holding Current vs. Ambient Temperature

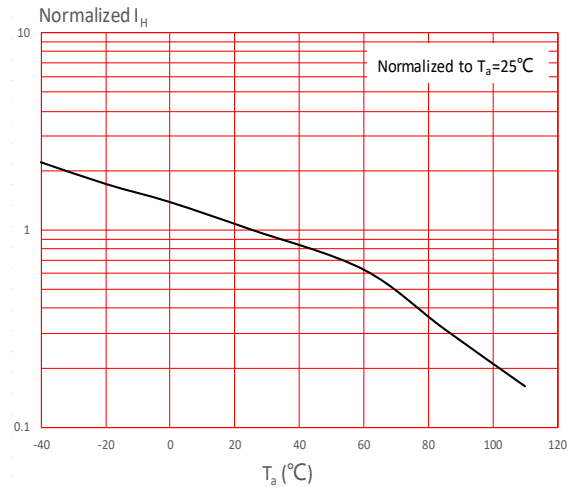


FIG.9: Turn On Time vs. Forward Current

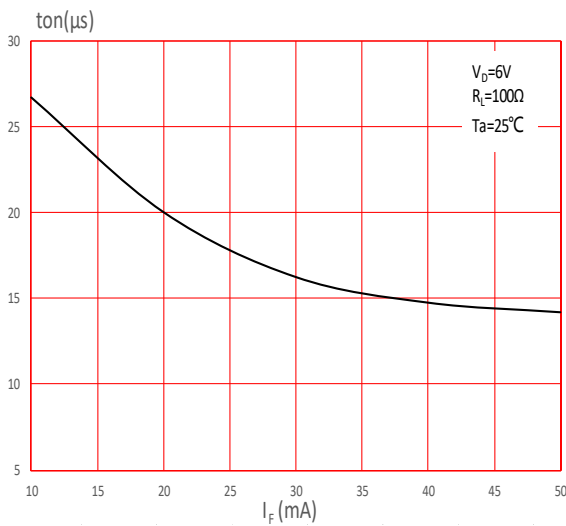
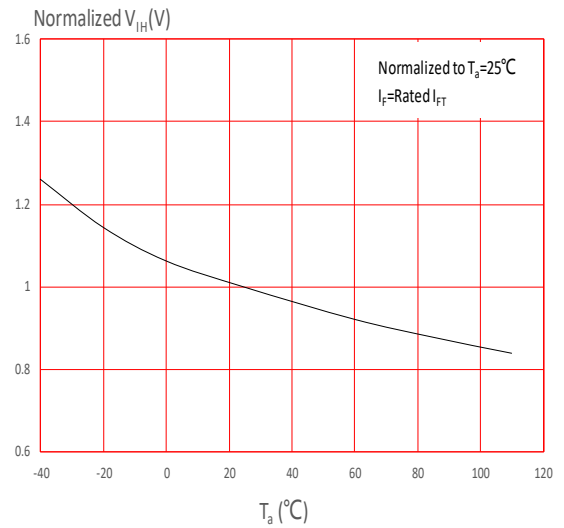


FIG.10: Normalized Inhibit Voltage vs. Ambient Temperature



TEST CIRCUITS

FIG.11: Test Circuits of Turn On Time

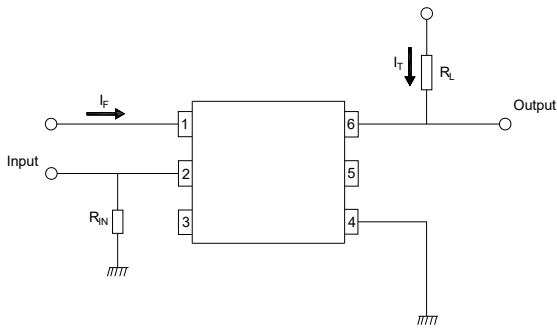


FIG.12: Waveforms of Turn On Time

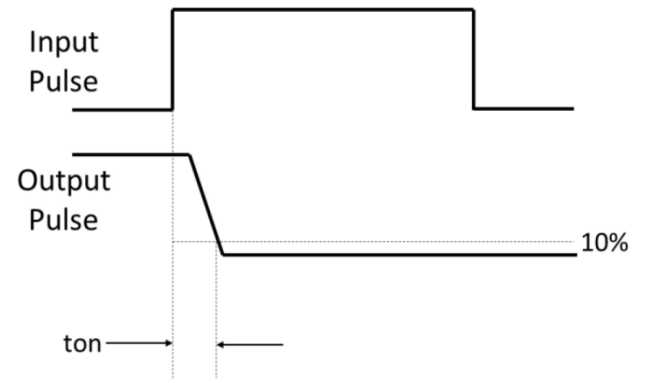
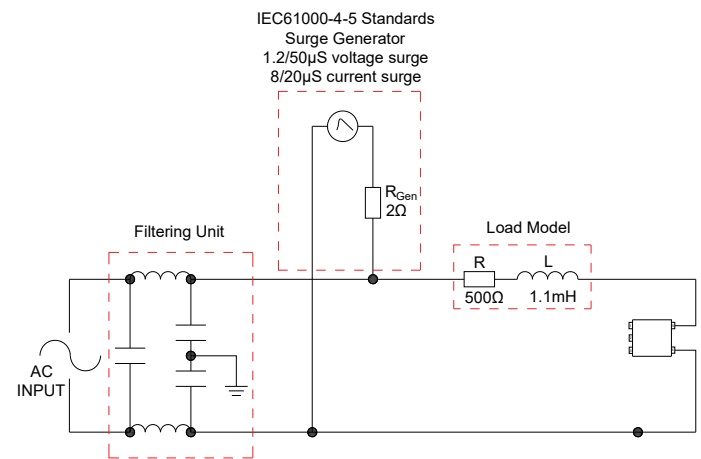
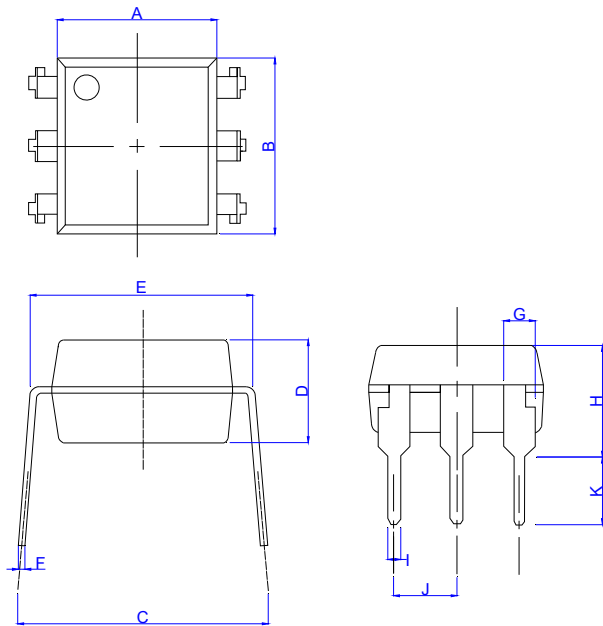


FIG.13: Test circuit for inductive and resistive loads to IEC-61000-4-5 standards



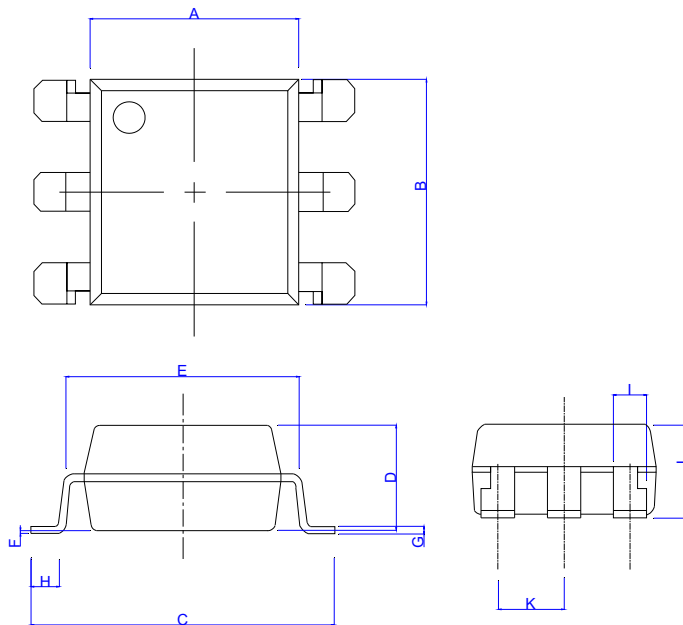
Package Dimension (Unit: mm)

Standard DIP Type:



| Ref. | Dimensions | | | | | |
|------|-------------|------|------|--------|------|-------|
| | Millimeters | | | Inches | | |
| | Min. | Typ. | Max. | Min. | Typ. | Max. |
| A | 6.20 | | 6.60 | 0.244 | | 0.260 |
| B | 6.92 | | 7.32 | 0.272 | | 0.288 |
| C | 7.15 | | 8.95 | 0.281 | | 0.352 |
| D | 3.20 | | 3.60 | 0.126 | | 0.142 |
| E | 7.32 | | 7.92 | 0.288 | | 0.312 |
| F | 0.15 | | 0.35 | 0.006 | | 0.014 |
| G | 1.15 | | 1.35 | 0.045 | | 0.053 |
| H | 3.90 | | 4.50 | 0.154 | | 0.177 |
| I | 0.40 | | 0.60 | 0.016 | | 0.024 |
| J | 2.29 | | 2.79 | 0.090 | | 0.110 |
| K | 2.24 | | 3.24 | 0.088 | | 0.128 |

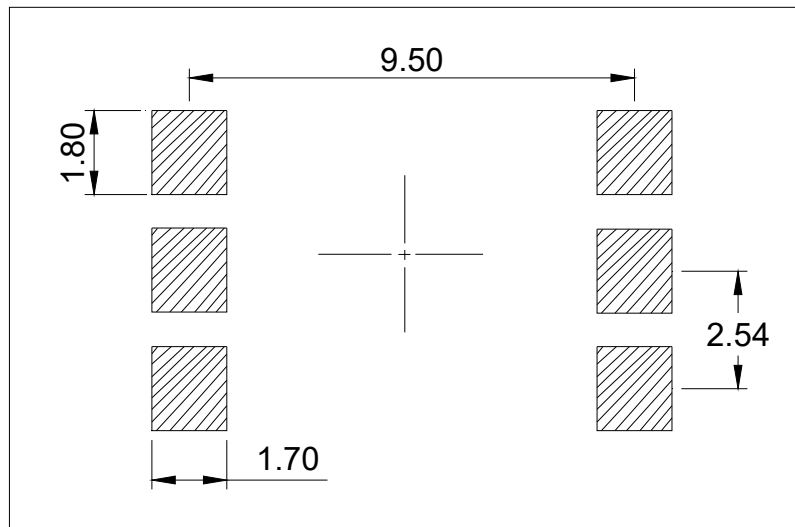
Option SMD Type:



| Ref. | Dimensions | | | | | |
|------|-------------|------|-------|--------|------|-------|
| | Millimeters | | | Inches | | |
| | Min. | Typ. | Max. | Min. | Typ. | Max. |
| A | 6.20 | | 6.60 | 0.244 | | 0.260 |
| B | 6.92 | | 7.32 | 0.272 | | 0.288 |
| C | 9.50 | | 10.50 | 0.375 | | 0.413 |
| D | 3.20 | | 3.60 | 0.126 | | 0.142 |
| E | 7.32 | | 7.92 | 0.288 | | 0.312 |
| F | 0.05 | | 0.35 | 0.002 | | 0.014 |
| G | 0.16 | | 0.36 | 0.006 | | 0.014 |
| H | 0.60 | | 1.40 | 0.024 | | 0.055 |
| I | 0.90 | | 1.50 | 0.035 | | 0.059 |
| J | 3.30 | | 3.90 | 0.130 | | 0.154 |
| K | 2.29 | | 2.79 | 0.090 | | 0.110 |

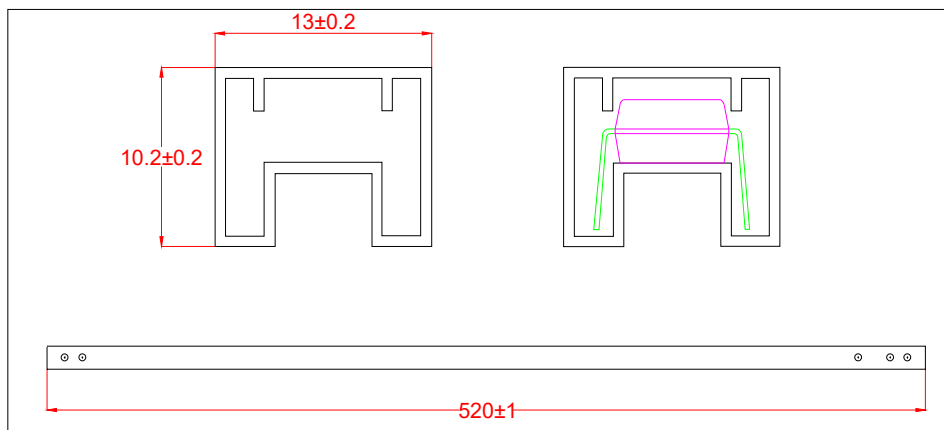
RECOMMENDED SOLDER MASK (Dimensions in mm unless otherwise stated)

Option SMD



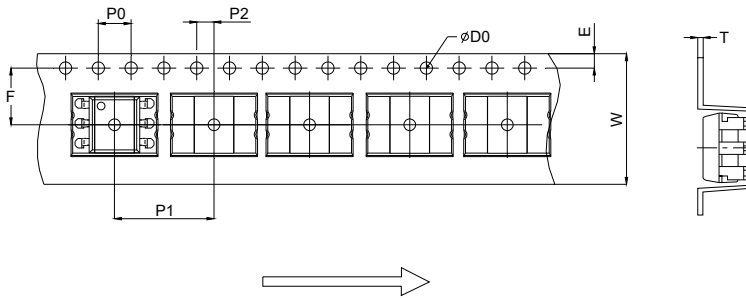
TUBE SPECIFICATIONS (Dimensions in mm unless otherwise stated)

Standard DIP



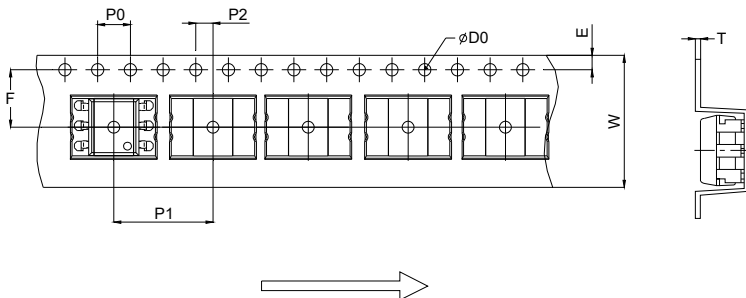
CARRIER TAPE SPECIFICATIONS (Dimensions in mm unless otherwise stated)

Option S



| Ref. | Dimensions | | | | | |
|------|-------------|-------|-------|--------|-------|-------|
| | Millimeters | | | Inches | | |
| | Min. | Typ. | Max. | Min. | Typ. | Max. |
| D0 | | 1.50 | 1.60 | | 0.059 | 0.063 |
| P0 | 3.90 | 4.00 | 4.10 | 0.154 | 0.157 | 0.161 |
| P1 | 11.90 | 12.00 | 12.10 | 0.469 | 0.472 | 0.476 |
| P2 | 1.90 | 2.00 | 2.10 | 0.075 | 0.079 | 0.083 |
| E | 1.65 | 1.75 | 1.85 | 0.065 | 0.069 | 0.073 |
| F | 7.40 | 7.50 | 7.60 | 0.291 | 0.295 | 0.299 |
| T | 0.35 | 0.40 | 0.45 | 0.014 | 0.016 | 0.018 |
| W | 15.70 | 16.00 | 16.30 | 0.618 | 0.630 | 0.642 |

Option L



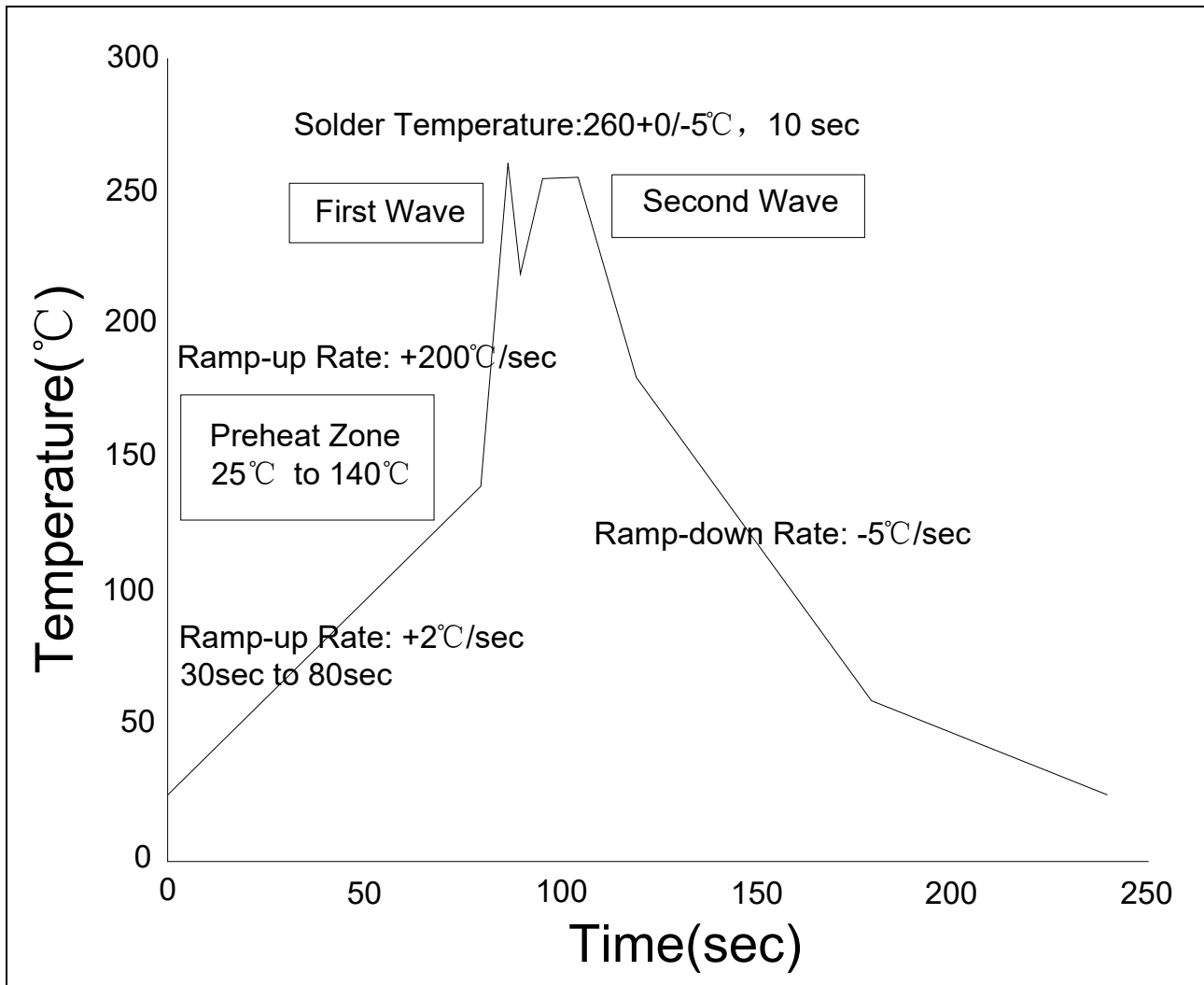
| Ref. | Dimensions | | | | | |
|------|-------------|-------|-------|--------|-------|-------|
| | Millimeters | | | Inches | | |
| | Min. | Typ. | Max. | Min. | Typ. | Max. |
| D0 | | 1.50 | 1.60 | | 0.059 | 0.063 |
| P0 | 3.90 | 4.00 | 4.10 | 0.154 | 0.157 | 0.161 |
| P1 | 11.90 | 12.00 | 12.10 | 0.469 | 0.472 | 0.476 |
| P2 | 1.90 | 2.00 | 2.10 | 0.075 | 0.079 | 0.083 |
| E | 1.65 | 1.75 | 1.85 | 0.065 | 0.069 | 0.073 |
| F | 7.40 | 7.50 | 7.60 | 0.291 | 0.295 | 0.299 |
| T | 0.35 | 0.40 | 0.45 | 0.014 | 0.016 | 0.018 |
| W | 15.70 | 16.00 | 16.30 | 0.618 | 0.630 | 0.642 |

REFLOW INFORMATION



| Profile Feature | Sn-Pb Assembly Profile | Pb-Free Assembly Profile |
|---|------------------------|--------------------------|
| Temperature Min. (T _{smin}) | 100°C | 150°C |
| Temperature Max. (T _{smax}) | 150°C | 200°C |
| Time (t _s) from (T _{smin} to T _{smax}) | 60-120 seconds | 60-120 seconds |
| Ramp-up Rate (t _L to t _P) | 3°C/second max. | 3°C/second max. |
| Liquidus Temperature (T _L) | 183°C | 217°C |
| Time (t _L) Maintained Above (T _L) | 60-150 seconds | 60-150 seconds |
| Peak Body Package Temperature | 235°C+0°C/-5°C | 260°C+0°C/-5°C |
| Time (t _P) within 5°C of 260°C | 10 seconds | 10 seconds |
| Ramp-down Rate (T _P to T _L) | 3-6°C/second | 3-6°C/second |
| Time 25°C to Peak Temperature | 6 minutes max. | 8 minutes max. |

WAVE SOLDERING



HAND SOLDERING BY SOLDERING IRON


| | |
|-----------------------|-----------------------------|
| Soldering Temperature | $360 \pm 5^{\circ}\text{C}$ |
| Soldering Time | 3s max. |

Note:

1. Reflow soldering is recommended at the temperatures and times shown, no more than three times.
2. Avoid direct contact between the epoxy body and any tools or surfaces exceeding its maximum storage temperature.
3. Application of pressure on the epoxy body is prohibited at elevated temperatures. In specific scenarios, any applied force must not exceed 2.5N.
4. Ensure the component has cooled to ambient temperature before proceeding with any subsequent manufacturing steps.
5. The component has a shelf life of one year when stored under standard conditions.
6. Recommend storage Temp.: 0~40°C;
Recommend storage humidity: <60%;
MSL level: MSL 1

Information furnished in this document is believed to be accurate and reliable. However, Jiangsu JieJie Microelectronics Co., Ltd. assumes no responsibility for the consequences of use without consideration for such information nor use beyond it. Information mentioned in this document is subject to change without notice, apart from that when an agreement is signed, Jiangsu JieJie complies with the agreement.

Products and information provided in this document have no infringement of patents. Jiangsu JieJie assumes no responsibility for any infringement of other rights of third parties which may result from the use of such products and information. This document supersedes and replaces all information previously supplied.

 is a registered trademark of Jiangsu JieJie Microelectronics Co., Ltd.

Copyright © 2026 Jiangsu JieJie Microelectronics Co., Ltd. All rights reserved.