



ACJT4 Series 4A TRIACs

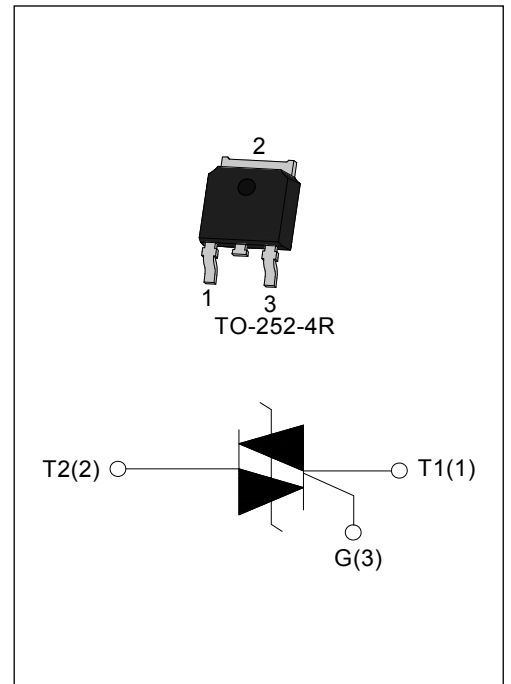
Rev.12.0

DESCRIPTION:

The ACJT4 series of double mesa technology provide high interference immunity, They can be used as an static ON/OFF function in electrical control system, and used as a driver of low power and high inductance or resistive loads, such as jet pumps of dishwashers, fans of air-conditioner ... Package TO-252-4R is RoHS compliant. (2011/65/EU)

MAIN FEATURES

Symbol	Value	Unit
$I_{T(RMS)}$	4	A
V_{DRM}/V_{RRM}	800/1000	V
I_{GT}	≤ 5 or ≤ 10 or ≤ 25	mA



ABSOLUTE MAXIMUM RATINGS

Parameter	Symbol	Value	Unit
Storage junction temperature range	T_{stg}	-40-150	°C
Operating junction temperature range	T_j	-40-125	°C
Repetitive peak off-state voltage($T_j=25^\circ\text{C}$)	V_{DRM}	800/1000	V
Repetitive peak reverse voltage($T_j=25^\circ\text{C}$)	V_{RRM}	800/1000	V
RMS on-state current	TO-252-4R ($T_c=100^\circ\text{C}$) $I_{T(RMS)}$	4	A
Non repetitive surge peak on-state current (full cycle, F=50Hz)	I_{TSM}	30	A
I^2t value for fusing ($t_p=10\text{ms}$)	I^2t	4.5	A^2s
Rate of rise of on-state current ($I_G=2 \times I_{GT}$)	di_T/dt	50	$\text{A}/\mu\text{s}$
Peak gate current	I_{GM}	1	A
Average gate power dissipation	$P_{G(AV)}$	0.1	W
Peak gate power	P_{GM}	1	W
Peak pulse voltage ($T_j=25^\circ\text{C}$; non-repetitive, off-state; FIG.7)	V_{PP}	2	kV

ELECTRICAL CHARACTERISTICS (T_j=25°C unless otherwise specified)

Symbol	Test Condition	Quadrant		Value			Unit
				ACJT405	ACJT410	ACJT425	
I _{GT}	V _D =12V R _L =33Ω	I - II - III	MAX	5	10	25	mA
V _{GT}		I - II - III	MAX	1.3	1.4	1.5	V
V _{GD}	V _D =V _{DRM} T _j =125°C R _L =3.3KΩ	I - II - III	MIN	0.2			V
I _L	I _G =1.2I _{GT}	I - III	MAX	15	30	40	mA
		II		20	45	60	
I _H	I _T =100mA		MAX	10	25	35	mA
dV/dt	V _D =2/3V _{DRM} Gate Open T _j =125°C		MIN	300	500	1000	V/μs

STATIC CHARACTERISTICS

Symbol	Parameter		Value(MAX)	Unit
V _{TM}	I _{TM} =5.6A t _p =380μs	T _j =25°C	1.55	V
I _{DRM}	V _D =V _{DRM} V _R =V _{RDM}	T _j =25°C	10	μA
I _{RRM}		T _j =125°C	1	mA

THERMAL RESISTANCES

Symbol	Parameter		Value	Unit
R _{th(j-c)}	junction to case(AC)	TO-252-4R	2.9	°C/W
R _{th(j-a)}	junction to ambient		70	

ORDERING INFORMATION

<p>AC AC switch JieJie Microelectronics Co.,Ltd</p>	<p>J Triacs</p>	<p>T I_{T(RMS)}:4A</p>	<p>4 05: I_{GT1-3}≤5mA 10: I_{GT1-3}≤10mA 25: I_{GT1-3}≤25mA</p>	<p>05</p>	<p>-8 8:V_{DRM} /V_{RRM}≥800V 10:V_{DRM} /V_{RRM}≥1000V</p>	<p>K K:TO-252-4R</p>	<p>-TR Blank: Tube TR: Tape & Reel</p>
--	----------------------------	---	---	------------------	--	---------------------------------	---

FIG.1 Maximum power dissipation versus RMS on-state current

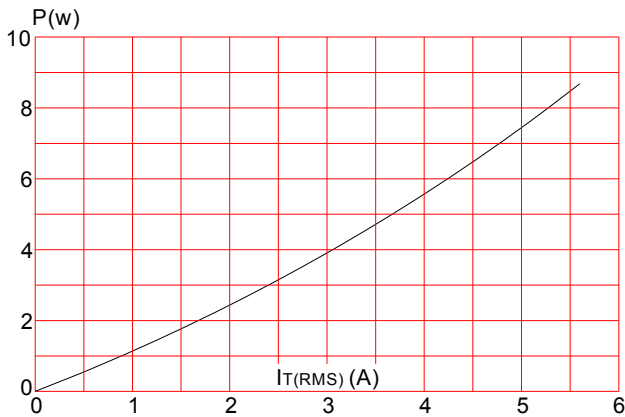


FIG.2: RMS on-state current versus ambient temperature (printed circuit board FR4, copper thickness: 35μm)(full cycle)

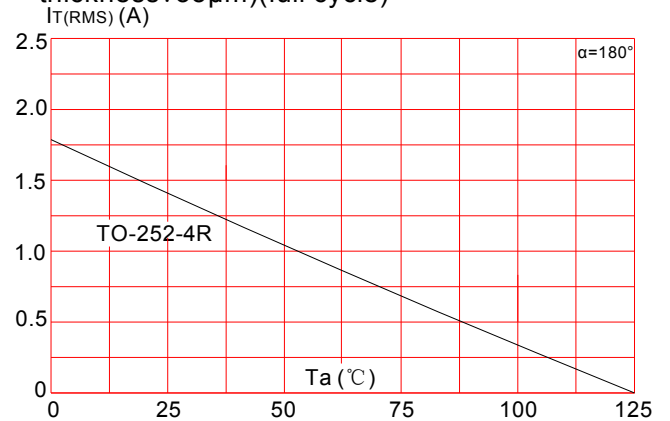


FIG.3: Surge peak on-state current versus number of cycles

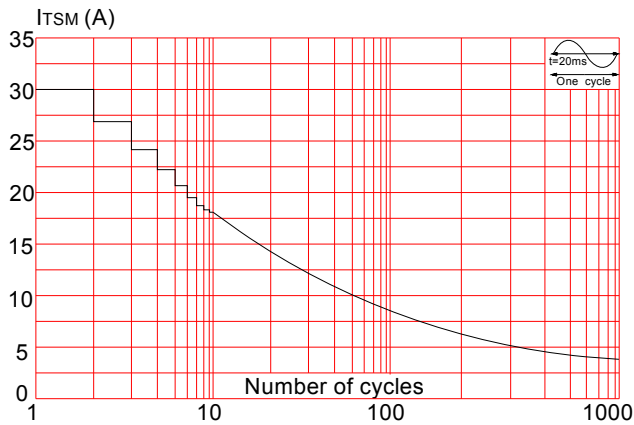


FIG.4: On-state characteristics (maximum values)

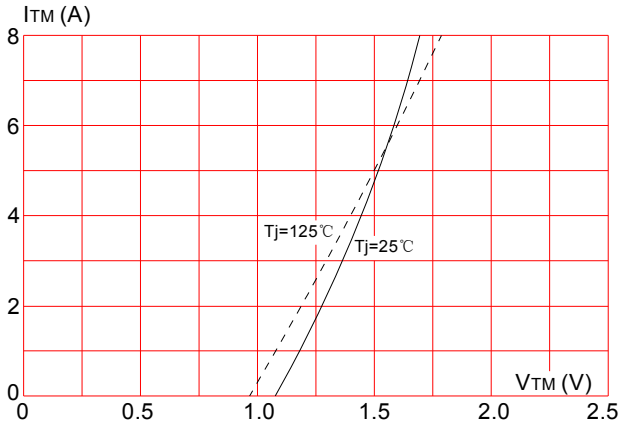


FIG.5: Relative variations of gate trigger current versus junction temperature

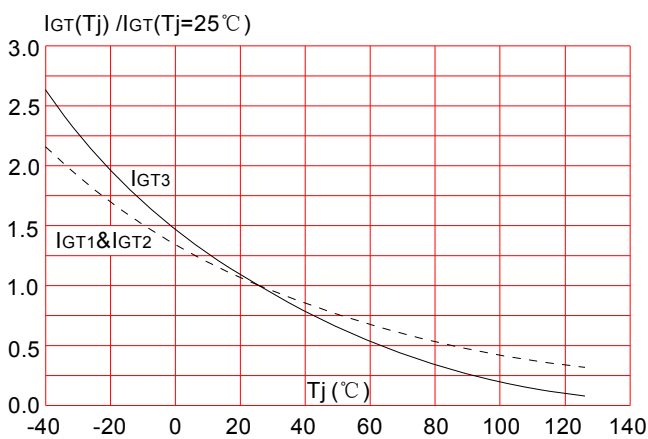


FIG.6: Relative variations of holding current, latching current versus junction temperature

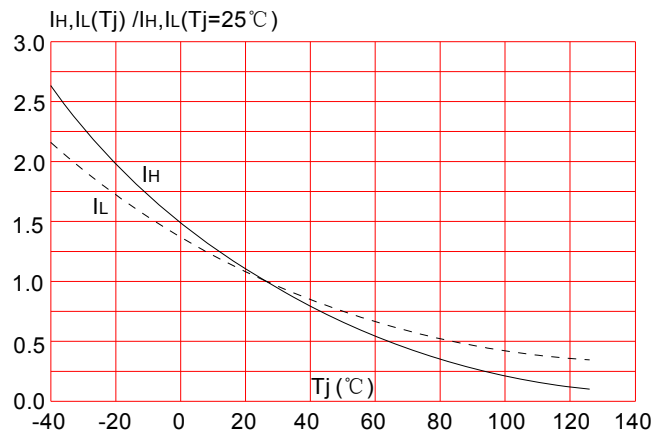
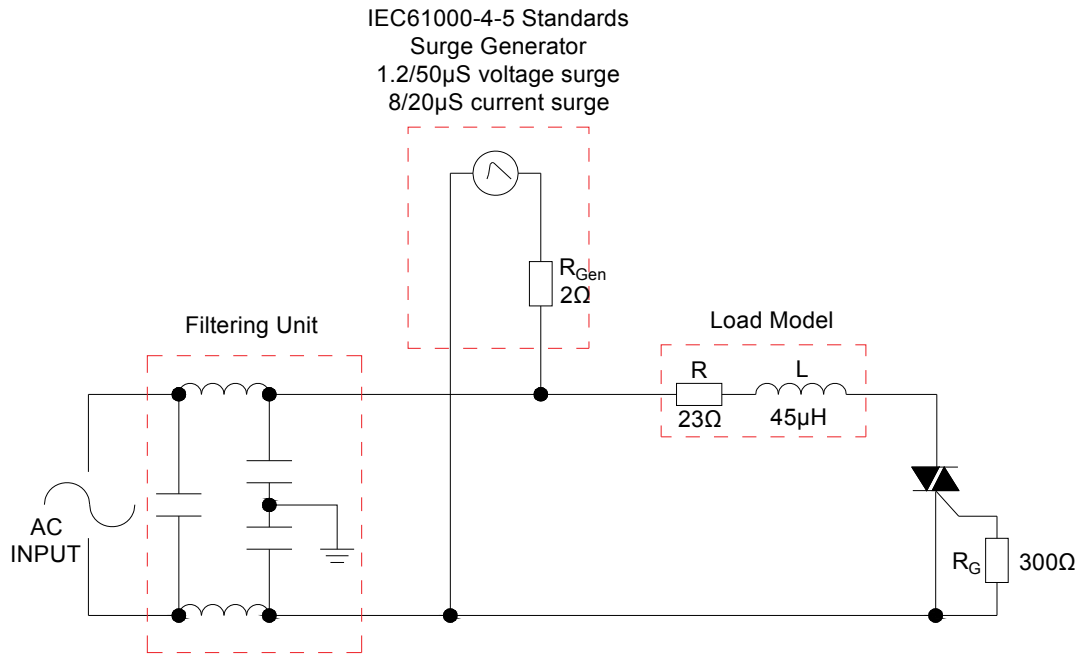
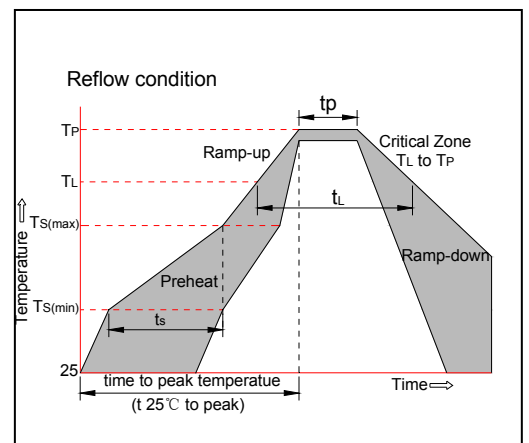


FIG.7: Test circuit for inductive and resistive loads to IEC-61000-4-5 standards.



SOLDERING PARAMETERS

Reflow Condition		Pb-Free assembly (see figure at right)
Pre Heat	-Temperature Min ($T_{s(min)}$)	+150°C
	-Temperature Max($T_{s(max)}$)	+200°C
	-Time (Min to Max) (ts)	60-180 secs.
Average ramp up rate (Liquidus Temp (T_L) to peak)		3°C/sec. Max
$T_{s(max)}$ to T_L - Ramp-up Rate		3°C/sec. Max
Reflow	-Temperature(T_L)(Liquidus)	+217°C
	-Temperature(t_L)	60-150 secs.
Peak Temp (T_p)		+260(+0/-5)°C
Time within 5°C of actual Peak Temp (t_p)		20-40secs.
Ramp-down Rate		6°C/sec. Max
Time 25°C to Peak Temp (T_p)		8 min. Max
Do not exceed		+260°C



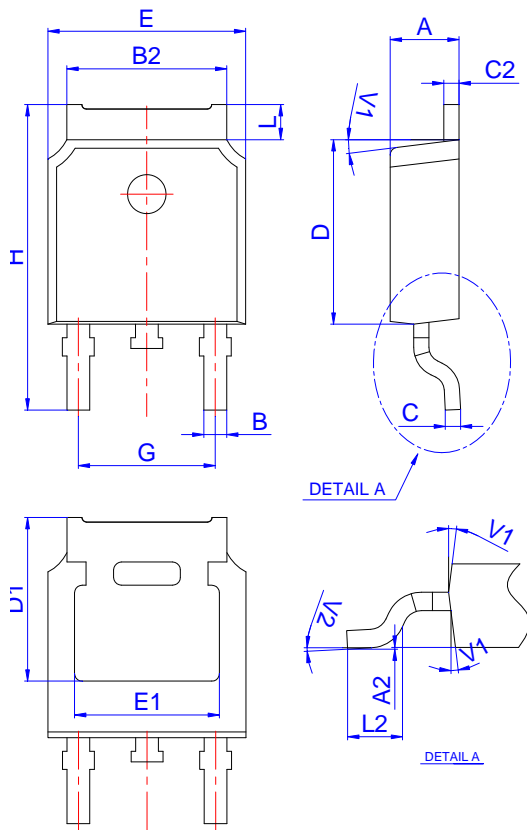
ORDERING INFORMATION

Order code	Voltage V_{DRM}/V_{RRM} (V)	IGT(mA)	Package	Base qty. (pcs)	Delivery mode
ACJT405-8/10K	800/1000	5	TO-252-4R	80 2,500	Tube Tape & Reel
ACJT410-8/10K		10			
ACJT425-8/10K		25			

Document Revision History

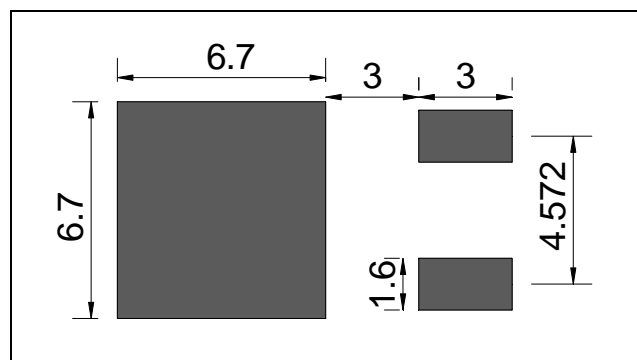
Date	Revision	Changes
Dec. 9, 2021	11	Last update
Sep. 6, 2021	12	Add V _{PP} value

PACKAGE MECHANICAL DATA

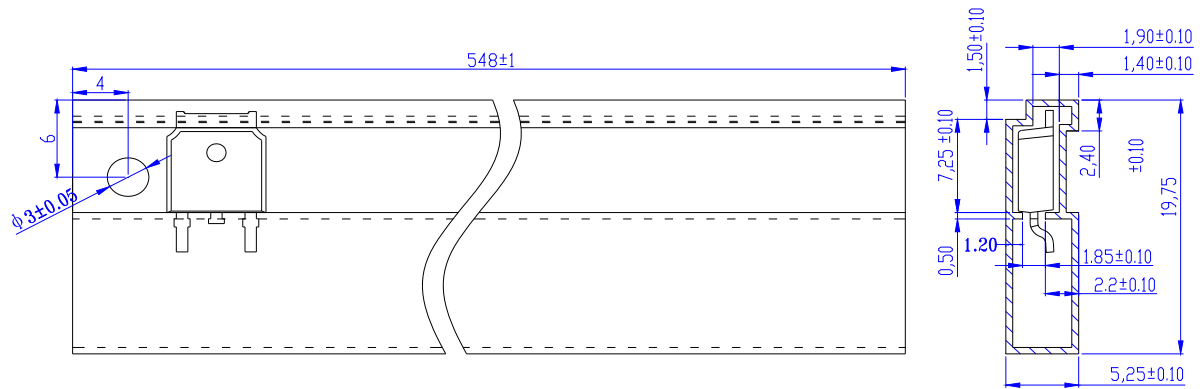


Ref.	Dimensions					
	Millimeters			Inches		
	Min.	Typ.	Max.	Min.	Typ.	Max.
A	2.10		2.50	0.083		0.098
A2	0		0.10	0		0.004
B	0.66		0.86	0.026		0.034
B2	5.18		5.48	0.202		0.216
C	0.40		0.60	0.016		0.024
C2	0.44		0.58	0.017		0.023
D	5.90		6.30	0.232		0.248
D1	5.30REF			0.209REF		
E	6.40		6.80	0.252		0.268
E1	4.63			0.182		
G	4.47		4.67	0.176		0.184
H	9.50		10.70	0.374		0.421
L	1.09		1.21	0.043		0.048
L2	1.35		1.65	0.053		0.065
V1		7°			7°	
V2	0°		6°	0°		6°

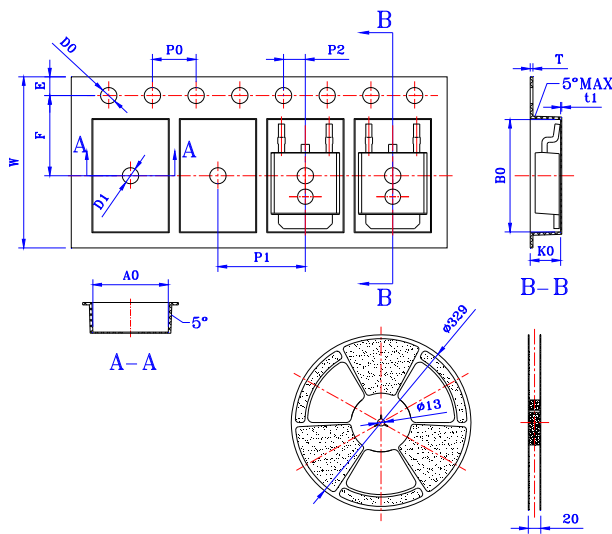
FOOTPRINT-TO-252-4R (dimensions in mm)



DELIVERY MODE



PACKAGE	OUTLINE	TUBE (PCS)	INNER BOX (PCS)	PER CARTON
TO-252-4R	TUBE	80	4,000	20,000




Ref.	Dimensions					
	Millimeters			Inches		
	Min.	Typ.	Max.	Min.	Typ.	Max.
W	15.90	16.00	16.10	0.626	0.630	0.634
E	1.65	1.75	1.85	0.065	0.069	0.073
F	7.40	7.50	7.60	0.291	0.295	0.299
D0	1.40	1.50	1.60	0.055	0.059	0.063
D1	1.40	1.50	1.60	0.055	0.059	0.063
P0	3.90	4.00	4.10	0.154	0.157	0.161
P1	7.90	8.00	8.10	0.311	0.315	0.319
P2	1.90	2.00	2.10	0.075	0.079	0.083
10P0	39.80	40.00	40.20	1.567	1.575	1.583
A0	6.85	6.90	7.00	0.270	0.272	0.276
B0	10.45	10.50	10.60	0.411	0.413	0.417
K0	2.68	2.78	2.88	0.106	0.109	0.113
T	0.24	-	0.27	0.009	-	0.011
ti	0.10	-	-	0.004	-	-

PACKAGE	OUTLINE	REEL (PCS)	PER CARTON (PCS)	TAPE & REEL
TO-252-4R	TAPING	2,500	25,000	13 inch



Information furnished in this document is believed to be accurate and reliable. However, Jiangsu JieJie Microelectronics Co.,Ltd assumes no responsibility for the consequences of use without consideration for such information nor use beyond it. Information mentioned in this document is subject to change without notice, apart from that when an agreement is signed, Jiangsu JieJie complies with the agreement. Products and information provided in this document have no infringement of patents. Jiangsu JieJie assumes no responsibility for any infringement of other rights of third parties which may result from the use of such products and information. This document supersedes and replaces all information previously supplied.

 is a registered trademark of Jiangsu JieJie Microelectronics Co.,Ltd.
Copyright ©2021 Jiangsu JieJie Microelectronics Co.,Ltd. Printed All rights reserved.