

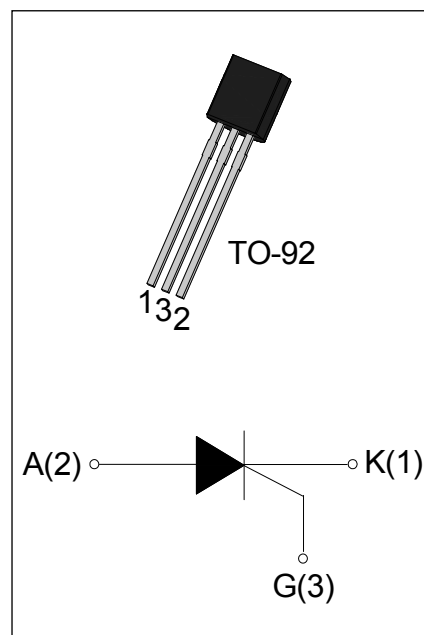


DESCRIPTION:

The JX007U SCR provides high dv/dt rate with strong resistance to electromagnetic interference. They are especially recommended for use on residual current circuit breaker, straight hair, igniter etc. Package TO-92 is RoHS compliant. (2011/65/EU)

MAIN FEATURES

Symbol	Value	Unit
$I_{T(RMS)}$	0.8	A
I_{GT}	≤ 120	μA
V_{DRM} / V_{RRM}	400/600	V



ABSOLUTE MAXIMUM RATINGS

Parameter		Symbol	Value	Unit
Storage junction temperature range		T_{stg}	-40-150	$^{\circ}C$
Operating junction temperature range		T_j	-40-125 ^①	$^{\circ}C$
Repetitive peak off-state voltage		V_{DRM}	400/600	V
Repetitive peak reverse voltage		V_{RRM}	400/600	V
RMS on-state current	TO-92 ($T_C=60^{\circ}C$)	$I_{T(RMS)}$	0.8	A
Non repetitive surge peak on-state current (tp=10ms)		I_{TSM}	8	A
I^2t value for fusing (tp=10ms)		I^2t	0.32	A^2s
Critical rate of rise of on-state current		di/dt	50	$A/\mu s$
Peak gate current (tp=20 μs , $T_j=125^{\circ}C$)		I_{GM}	0.2	A
Peak gate power (tp=20 μs , $T_j=125^{\circ}C$)		P_{GM}	0.5	W
Average gate power dissipation($T_j=125^{\circ}C$)		$P_{G(AV)}$	0.1	W

NOTE 1: When we parallel connect a $\leq 1K\Omega$ resistor between Gate and Cathode, the T_j can reach $125^{\circ}C$; if without this resistor, the T_j only can reach $110^{\circ}C$.

ELECTRICAL CHARACTERISTICS ($T_j=25^{\circ}\text{C}$ unless otherwise specified)

Symbol	Test Condition	Value			Unit
		MIN.	TYP.	MAX.	
I_{GT}	$V_D=12\text{V } R_L=33\Omega$	-	30	120	μA
V_{GT}		-	0.6	0.8	V
V_{GD}	$V_D=V_{DRM} T_j=125^{\circ}\text{C}$	0.2	-	-	V
I_L	$I_G=1.2 I_{GT}$	-	-	5	mA
I_H	$I_T=0.05\text{A}$	-	-	3	mA
dV/dt	$V_D=2/3V_{DRM} T_j=125^{\circ}\text{C} R_{GK}=1\text{K}\Omega$	10	-	-	V/ μs
T_{on}	$I_{TM}=2\text{A } V_D=V_{DRM(max)} I_G=10\text{mA}$ $di_G/dt=0.1\text{A}/\mu\text{s}$	-	-	3	μs

STATIC CHARACTERISTICS

Symbol	Parameter		Value(MAX)	Unit
V_{TM}	$I_T=1\text{A } t_p=380\mu\text{s}$	$T_j=25^{\circ}\text{C}$	1.5	V
I_{DRM}	$V_D=V_{DRM} V_R=V_{RRM}$	$T_j=25^{\circ}\text{C}$	5	μA
I_{RRM}		$T_j=125^{\circ}\text{C}$	100	μA

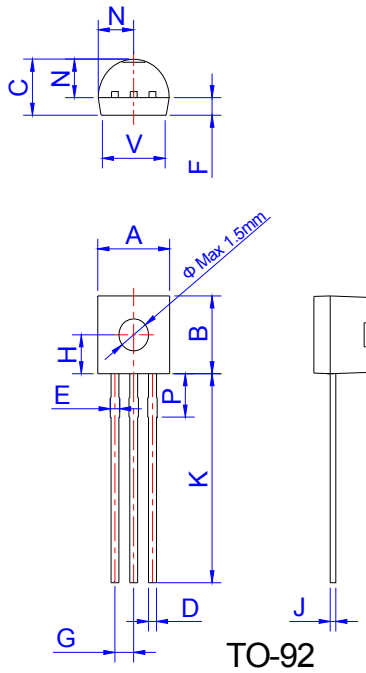
THERMAL RESISTANCES

Symbol	Parameter		Value	Unit
$R_{th(j-c)}$	junction to case	TO-92	75	$^{\circ}\text{C}/\text{W}$

ORDERING INFORMATION

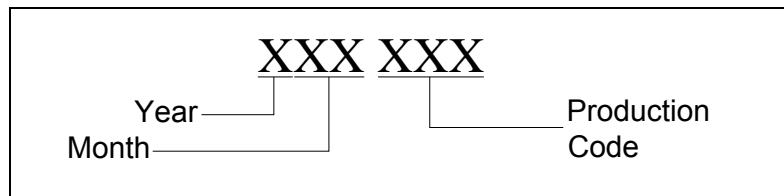
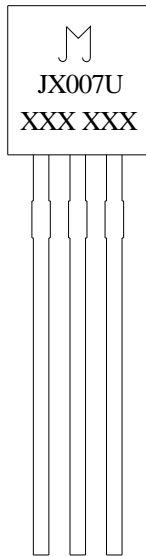
<p>J</p> <p>JieJie Microelectronics Co.,Ltd</p>	<p>X</p> <p>Sensitive gate SCRs</p>	<p>007</p> <p>$I_{T(RMS)}:0.8\text{A}$</p>	<p>U</p> <p>U:TO-92</p>
--	--	--	--------------------------------

PACKAGE MECHANICAL DATA

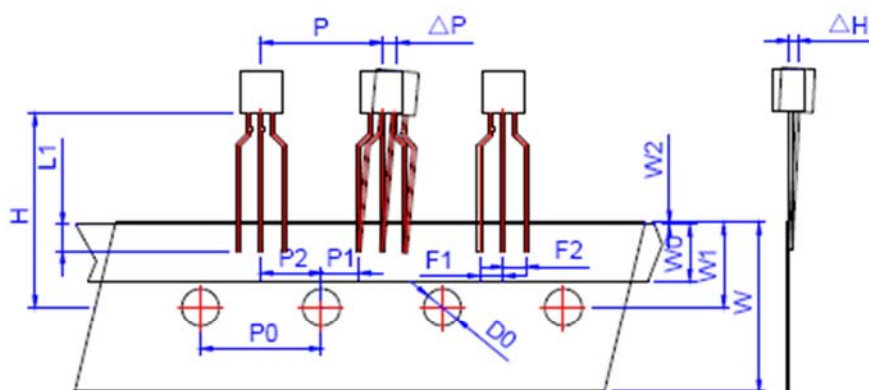


Ref.	Dimensions					
	Millimeters			Inches		
	Min.	Typ.	Max.	Min.	Typ.	Max.
A	4.45		5.20	0.175		0.205
B	4.32		5.33	0.170		0.210
C	3.18		4.19	0.125		0.165
D	0.407		0.533	0.016		0.021
E	0.50		0.70	0.020		0.028
F	-	1.1	-	-	0.043	-
G	-	1.27	-	-	0.050	-
H	-	2.30	-	-	0.091	-
J	0.36		0.50	0.014		0.020
K	12.70		15.0	0.500		0.591
N	2.04		2.66	0.080		0.105
P	1.86		2.06	0.073		0.081
V	-		4.3	-		0.169

MARKING



PACKAGE INFORMATION



Ref.	Dimensions					
	Millimeters			Inches		
	Min.	Typ.	Max.	Min.	Typ.	Max.
P	12.40	12.70	13.00	0.488	0.500	0.512
P0	12.40	12.70	13.00	0.488	0.500	0.512
P1	3.55	3.85	4.15	0.140	0.152	0.163
P2	6.05	6.35	6.65	0.238	0.250	0.262
ΔP	-1.0	0	1.0	-0.039	0	0.039
F1、F2	2.20	2.50	2.80	0.087	0.098	0.110
F1-F2	-0.3	0	0.3	-0.012	0	0.012
W	17.50	18.00	19.00	0.689	0.709	0.748
W0	5.50	6.00	6.50	0.217	0.236	0.256
W1	8.50	9.00	9.50	0.335	0.354	0.374
W2			1.0			0.039
D0	3.80	4.0	4.20	0.150	0.157	0.165
ΔH	-1.0	0	1.0	-0.039	0	0.039
L1	2.5			0.098		
H	18.0	19.0	20.0	0.709	0.748	0.787

Packaging Information	Reel	Inner Box	Outer Box
Net Weight (g)	140	80	600
Quantity (pcs)	/	2000	20000
N. W. Per Unit (mg/pcs)	189		

FIG.1: Maximum power dissipation versus RMS on-state current

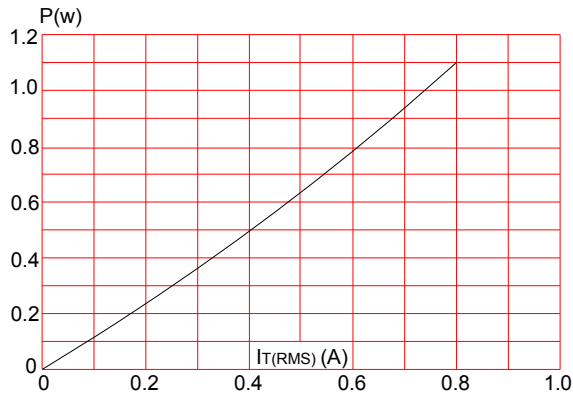


FIG.3: Surge peak on-state current versus number of cycles

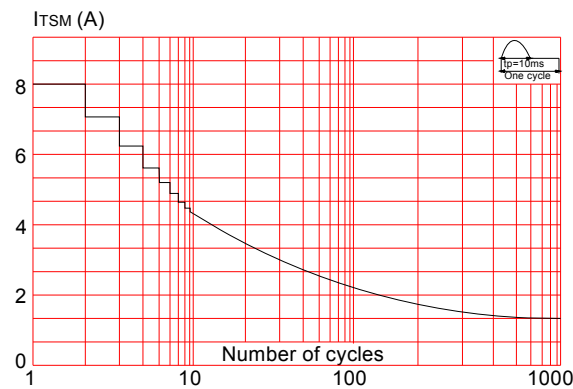


FIG.5: Non-repetitive surge peak on-state current for a sinusoidal pulse with width $t_p < 10\text{ms}$, and corresponding value of I^2t

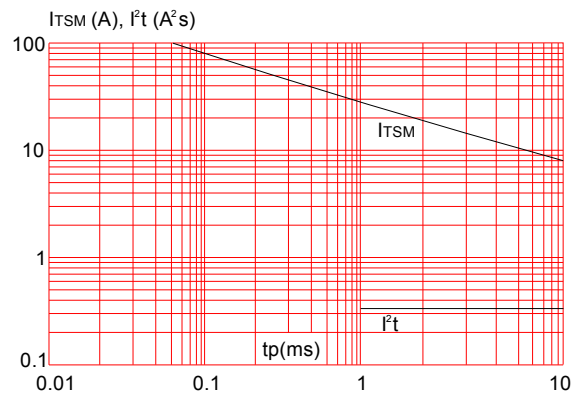


FIG.2: RMS on-state current versus case temperature

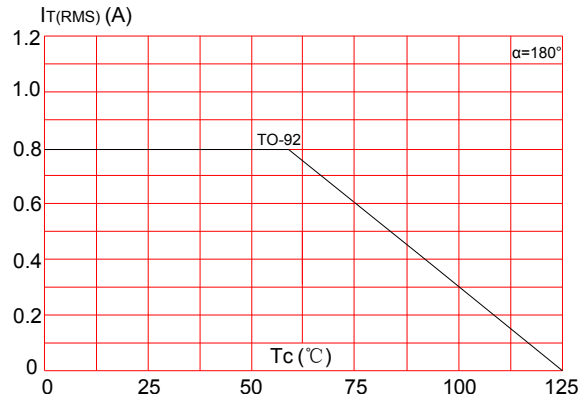


FIG.4: On-state characteristics (maximum values)

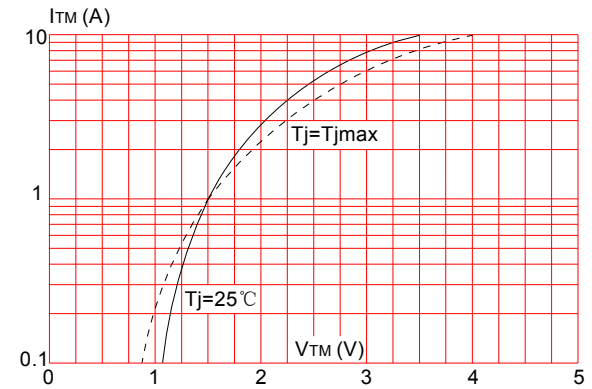
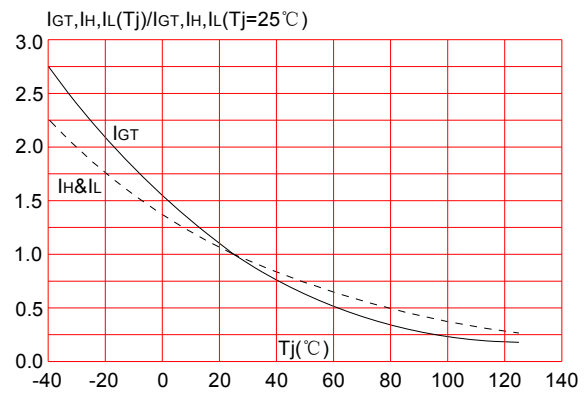



FIG.6: Relative variations of gate trigger current, holding current and latching current versus junction temperature



Information furnished in this document is believed to be accurate and reliable. However, Jiangsu JieJie Microelectronics Co.,Ltd assumes no responsibility for the consequences of use without consideration for such information nor use beyond it. Information mentioned in this document is subject to change without notice, apart from that when an agreement is signed, Jiangsu JieJie complies with the agreement. Products and information provided in this document have no infringement of patents. Jiangsu JieJie assumes no responsibility for any infringement of other rights of third parties which may result from the use of such products and information. This document is the seventh version which is made in 11-May-2019. This document supersedes and replaces all information previously supplied.

 is a registered trademark of Jiangsu JieJie Microelectronics Co.,Ltd.
Copyright ©2019 Jiangsu JieJie Microelectronics Co.,Ltd. Printed All rights reserved.