

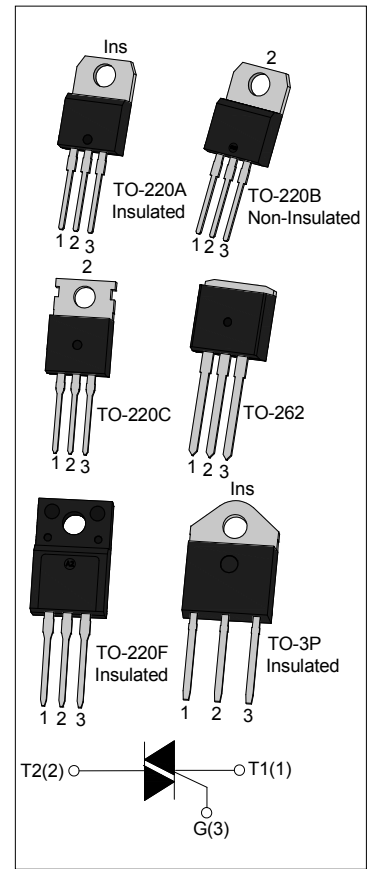


DESCRIPTION:

With high ability to withstand the shock loading of large current, JST24 series triacs provide high dv/dt rate with strong resistance to electromagnetic interface. With high commutation performances, 3 quadrants products especially recommended focus on inductive load. From all three terminals to external heatsink, JST24A and JST24Z provide a rated insulation voltage of 2500 V_{RMS}, and JST24F provides a rated insulation voltage of 2000 V_{RMS}, complying with UL standards (File ref: E252906). All the packages listed above are RoHS compliant. (2011/65/EU)

MAIN FEATURES

Symbol	Value	Unit
I _{T(RMS)}	25	A
V _{DRM} / V _{RRM}	600/800/1200/1600	V



ABSOLUTE MAXIMUM RATINGS

Parameter		Symbol	Value	Unit
Storage junction temperature range		T _{stg}	-40-150	°C
Operating junction temperature range		T _j	-40-125	°C
Repetitive peak off-state voltage (T _j =25°C)		V _{DRM}	600/800/1200/1600	V
Repetitive peak reverse voltage (T _j =25°C)		V _{RRM}	600/800/1200/1600	V
RMS on-state current	TO-220A(Ins)/ TO-220F(Ins) (T _c =70°C)	I _{T(RMS)}	25	A
	TO-220C/ TO-220B(Non-Ins) (T _c =85°C)			
	TO-262 (T _c =50°C)			
	TO-3P(Ins) (T _c =95°C)			
Non repetitive surge peak on-state current (full cycle, F=50Hz)		I _{TSM}	250	A
I ² t value for fusing (t _p =10ms)		I ² t	340	A ² s

Critical rate of rise of on-state current ($I_G = 2 \times I_{GT}$)	dI/dt	50	A/ μ s
Peak gate current	I_{GM}	4	A
Average gate power dissipation	$P_{G(AV)}$	1	W
Peak gate power	P_{GM}	10	W

ELECTRICAL CHARACTERISTICS ($T_j = 25^\circ\text{C}$ unless otherwise specified)

V_{DRM}/V_{RRM} : 600/800V

Symbol	Test Condition	Quadrant		JST24-600/800V		Unit
				BW	CW	
I_{GT}	$V_D = 12\text{V}$ $R_L = 33\Omega$	I - II - III	MAX	50	35	mA
V_{GT}		I - II - III	MAX	1.3		V
V_{GD}	$V_D = V_{DRM}$ $T_j = 125^\circ\text{C}$ $R_L = 3.3\text{K}\Omega$	I - II - III	MIN	0.2		V
I_L	$I_G = 1.2I_{GT}$	I - III	MAX	80	70	mA
		II		100	80	
I_H	$I_T = 100\text{mA}$		MAX	75	50	mA
dV/dt	$V_D = 2/3V_{DRM}$ Gate Open $T_j = 125^\circ\text{C}$		MIN	1000	500	V/ μ s

V_{DRM}/V_{RRM} : 1200/1600V

Symbol	Test Condition	Quadrant		JST24-1200V/1600V		Unit
				BW	CW	
I_{GT}	$V_D = 12\text{V}$ $R_L = 33\Omega$	I - II - III	MAX	50	35	mA
V_{GT}		I - II - III	MAX	1.5		V
V_{GD}	$V_D = V_{DRM}$ $T_j = 125^\circ\text{C}$ $R_L = 3.3\text{K}\Omega$	I - II - III	MIN	0.2		V
I_L	$I_G = 1.2I_{GT}$	I - III	MAX	90	70	mA
		II		100	80	
I_H	$I_T = 100\text{mA}$		MAX	80	60	mA
dV/dt	$V_D = 2/3V_{DRM}$ Gate Open $T_j = 125^\circ\text{C}$		MIN	1500	1000	V/ μ s

V_{DRM}/V_{RRM} : 600/800V

Symbol	Test Condition	Quadrant	JST24-600/800V		Unit	
			B	C		
I_{GT}	$V_D = 12V R_L = 33\Omega$	I - II - III	MAX	50	25	mA
		IV		70	50	
V_{GT}		ALL	MAX	1.3		V
V_{GD}	$V_D = V_{DRM} T_j = 125^\circ C$ $R_L = 3.3K\Omega$	ALL	MIN	0.2		V
I_L	$I_G = 1.2I_{GT}$	I - III - IV	MAX	80	70	mA
		II		100	90	
I_H	$I_T = 100mA$		MAX	75	60	mA
dV/dt	$V_D = 2/3V_{DRM}$ Gate Open $T_j = 125^\circ C$		MIN	500	200	V/ μs

STATIC CHARACTERISTICS

Symbol	Parameter		Value(MAX)	Unit
V_{TM}	$I_{TM} = 35A$ $t_p = 380\mu s$	$T_j = 25^\circ C$	1.5	V
V_{TO}	Threshold voltage	$T_j = 125^\circ C$	0.95	V
R_d	Dynamic resistance	$T_j = 125^\circ C$	13	m Ω
I_{DRM}	$V_D = V_{DRM} V_R = V_{RRM}$	$T_j = 25^\circ C$	5	μA
I_{RRM}		$T_j = 125^\circ C$	3	mA

THERMAL RESISTANCES

Symbol	Parameter		Value	Unit
$R_{th(j-c)}$	junction to case(AC)	TO-220A(Ins)	1.5	$^\circ C/W$
		TO-220C/ TO-220B(Non-Ins)	1.1	
		TO-220F(Ins)	1.7	
		TO-262	2.1	
		TO-3P(Ins)	0.67	

ORDERING INFORMATION

J JieJie Microelectronics Co.,Ltd	ST Triacs I _{T(RMS)} :25A D:TO-262 C:TO-220C Z:TO-3P(Ins) A:TO-220A(Ins) F:TO-220F(Ins) B:TO-220B(Non-Ins)	24	A	-600	BW	-/ Blank: Tube BW:I _{GT1-3} ≤50mA CW:I _{GT1-3} ≤35mA B:I _{GT1-3} ≤50mA I _{GT4} ≤70mA C:I _{GT1-3} ≤25mA I _{GT4} ≤50mA 600:V _{DRM} /V _{RRM} ≥600V 800:V _{DRM} /V _{RRM} ≥800V 1200:V _{DRM} /V _{RRM} ≥1200V 1600:V _{DRM} /V _{RRM} ≥1600V
---	--	-----------	----------	-------------	-----------	--

MARKING

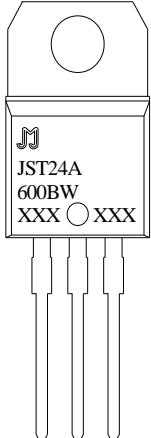
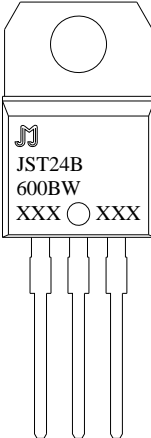
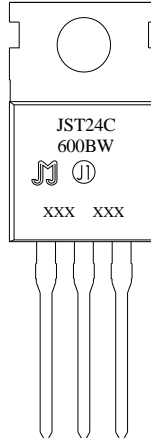
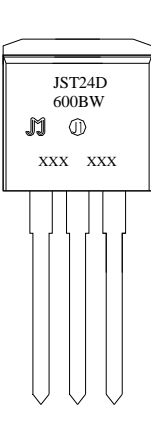
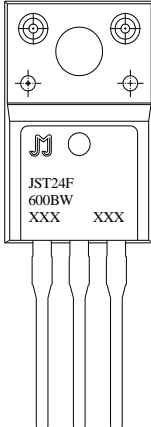
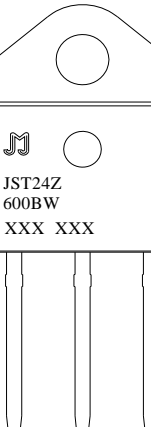
 <p>JST24A 600BW XXX ○ XXX</p>	 <p>JST24B 600BW XXX ○ XXX</p>	 <p>JST24C 600BW XXX ○ XXX</p>
 <p>JST24D 600BW XXX ○ XXX</p>	 <p>JST24F 600BW XXX ○ XXX</p>	 <p>JST24Z 600BW XXX ○ XXX</p>
<p>XXX XXX</p> <p>Year _____ Production Code _____ Month _____</p>		

FIG.1: Maximum power dissipation versus RMS on-state current

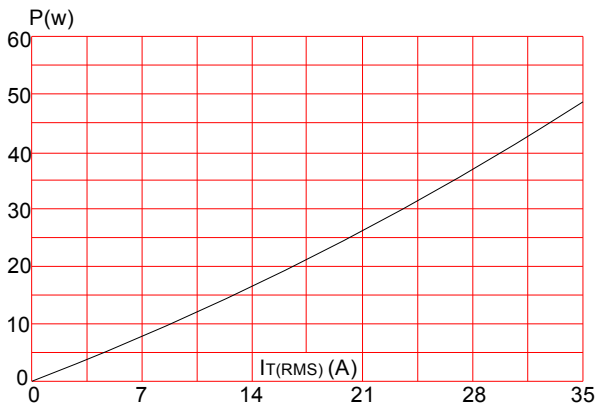


FIG.3: Surge peak on-state current versus number of cycles

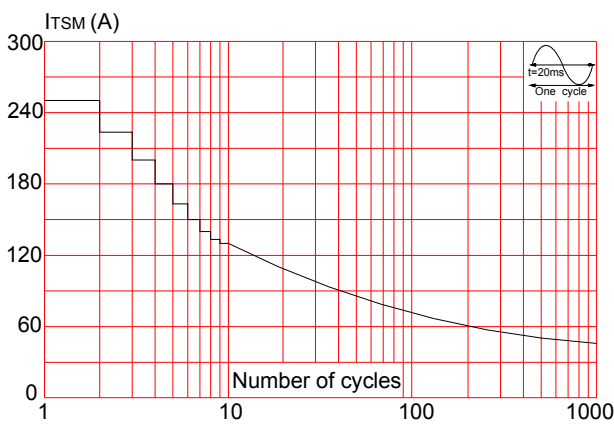


FIG.5: Non-repetitive surge peak on-state current for a sinusoidal pulse with width $t_p < 20\text{ms}$, and corresponding value of I^2t ($di/dt < 50\text{A}/\mu\text{s}$)

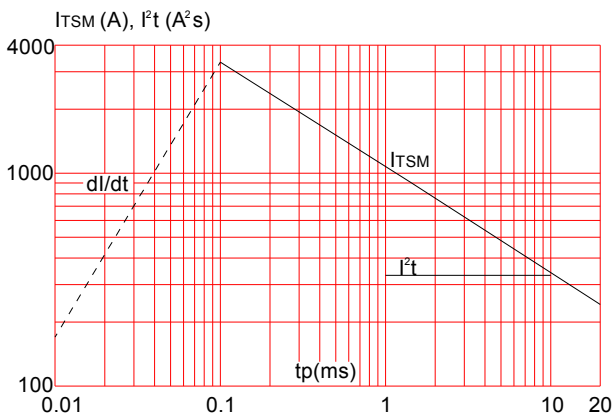


FIG.2: RMS on-state current versus case temperature

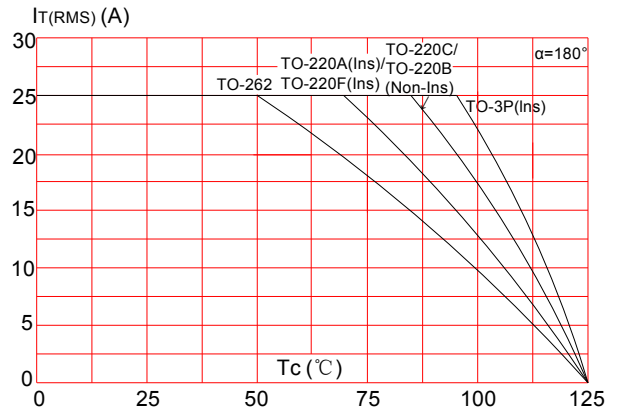


FIG.4: On-state characteristics (maximum values)

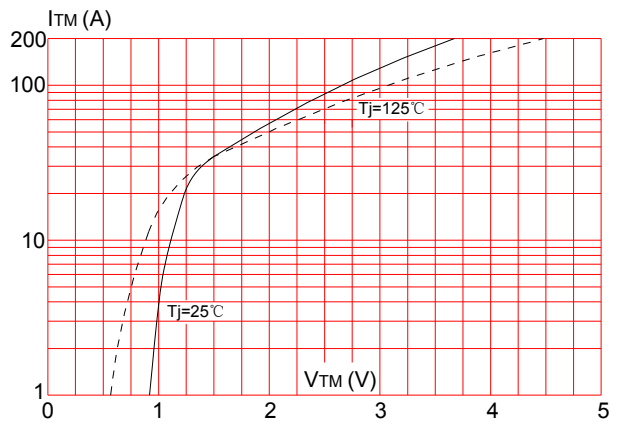
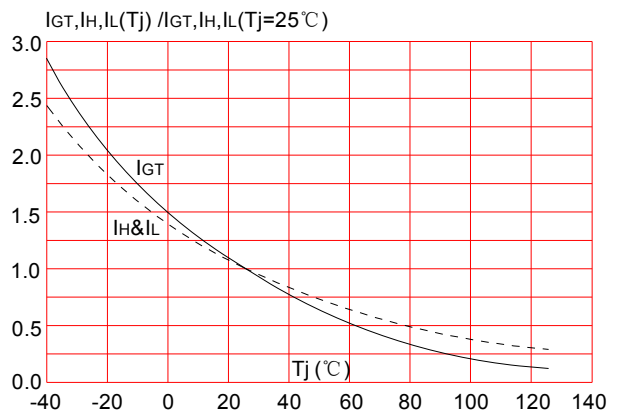


FIG.6: Relative variations of gate trigger current, holding current and latching current versus junction temperature



ORDERING INFORMATION

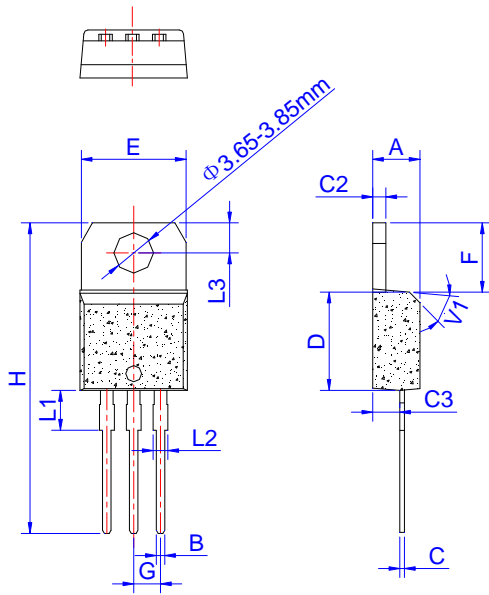
Order code	Voltage V_{DRM}/V_{RRM} (V)	IGT (mA)		Package	Base qty. (pcs)	Delivery mode
		I - II - III				
JST24※ -600(800/1200/1600)BW	600/800/ 1200/1600	50		TO-220A(Ins)/ TO-220F(Ins)/ TO-220B/ TO-220C/ TO-262	50	Tube
JST24※ -600(800/1200/1600)CW	600/800/ 1200/1600	35				
JST24Z- 600(800/1200/1600)BW	600/800/ 1200/1600	50		TO-3P	30	Tube
JST24Z -600(800/1200/1600)CW	600/800/ 1200/1600	35				
Order code	Voltage V_{DRM}/V_{RRM} (V)	IGT(mA)		Package	Base qty. (pcs)	Delivery mode
		I - II - III	IV			
JST24※-600(800)B	600/800	50	70	TO-220A(Ins)/ TO-220F(Ins)/ TO-220B/ TO-220C/ TO-262	50	Tube
JST24※-600(800)C	600/800	25	50			
JST24Z-600(800)B	600/800	50	70	TO-3P	30	Tube
JST24Z-600(800)C	600/800	25	50			

※ refers to a series of packages

Document Revision History

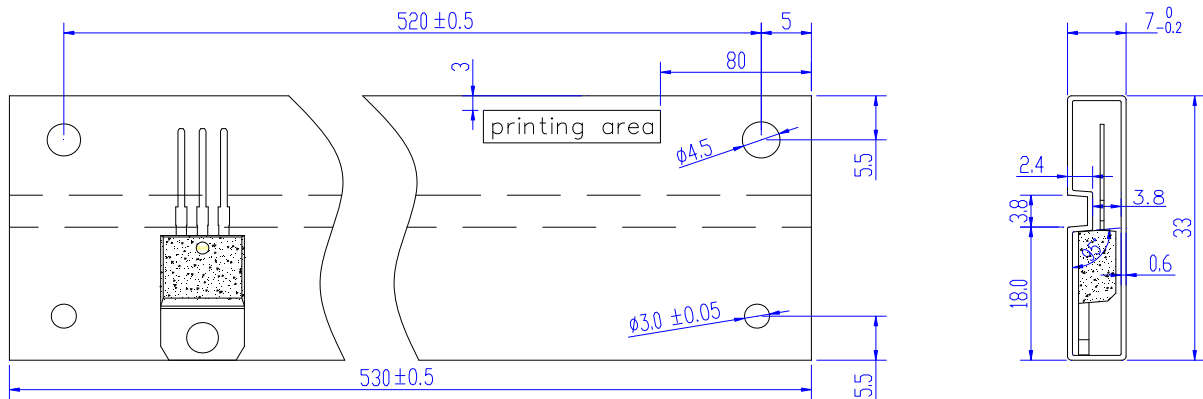
Date	Revision	Changes
April 9, 2021	8	Last update
Sep 23, 2021	9	Add Vto & Rd value

PACKAGE MECHANICAL DATA



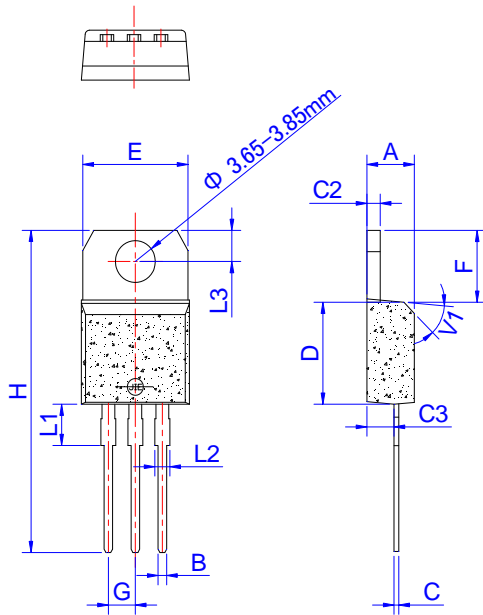
Ref.	Dimensions					
	Millimeters			Inches		
	Min.	Typ.	Max.	Min.	Typ.	Max.
A	4.40		4.60	0.173		0.181
B	0.61		0.88	0.024		0.035
C	0.46		0.70	0.018		0.028
C2	1.21		1.32	0.048		0.052
C3	2.40		2.72	0.094		0.107
D	8.60		9.70	0.339		0.382
E	9.80		10.4	0.386		0.409
F	6.55		6.95	0.258		0.274
G	2.40		2.70	0.094		0.106
H	28.0		29.8	1.102		1.173
L1		3.75			0.148	
L2	1.14		1.70	0.045		0.067
L3	2.65		2.95	0.104		0.116
V1		45°			45°	

DELIVERY MODE



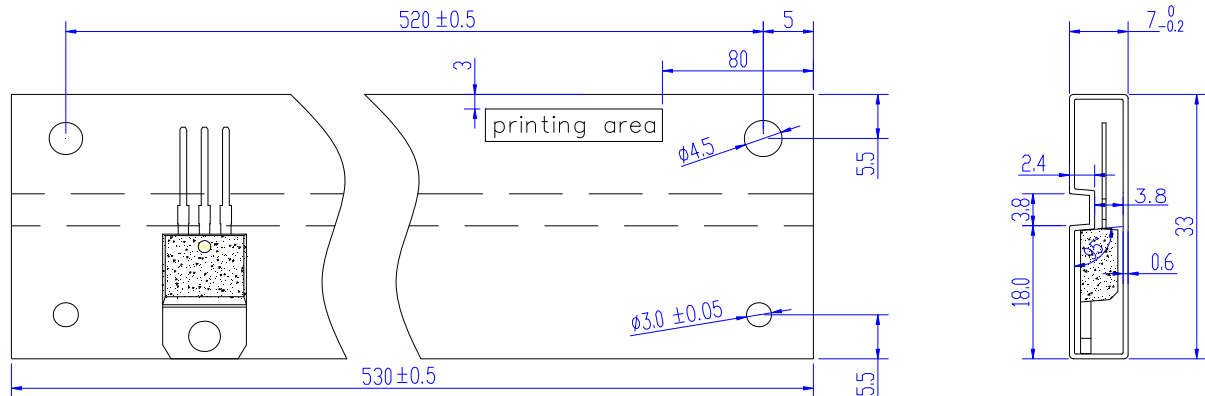
PACKAGE	OUTLINE	TUBE (PCS)	INNER BOX (PCS)	PER CARTON
TO-220A	TUBE	50	1,000	5,000

PACKAGE MECHANICAL DATA



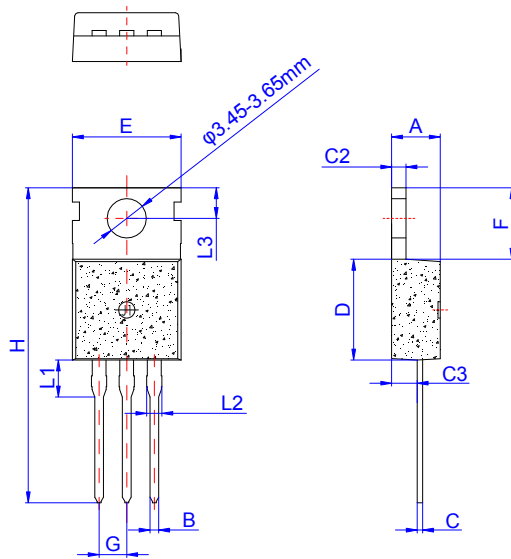
Ref.	Dimensions					
	Millimeters			Inches		
	Min.	Typ.	Max.	Min.	Typ.	Max.
A	4.40		4.60	0.173		0.181
B	0.61		0.88	0.024		0.035
C	0.46		0.70	0.018		0.028
C2	1.21		1.32	0.048		0.052
C3	2.40		2.72	0.094		0.107
D	8.60		9.70	0.339		0.382
E	9.60		10.4	0.378		0.409
F	6.20		6.60	0.244		0.260
G	2.40		2.70	0.094		0.106
H	28.0		29.8	1.102		1.173
L1		3.75			0.147	
L2	1.14		1.70	0.045		0.067
L3	2.65		2.95	0.104		0.116
V1		45°			45°	

DELIVERY MODE



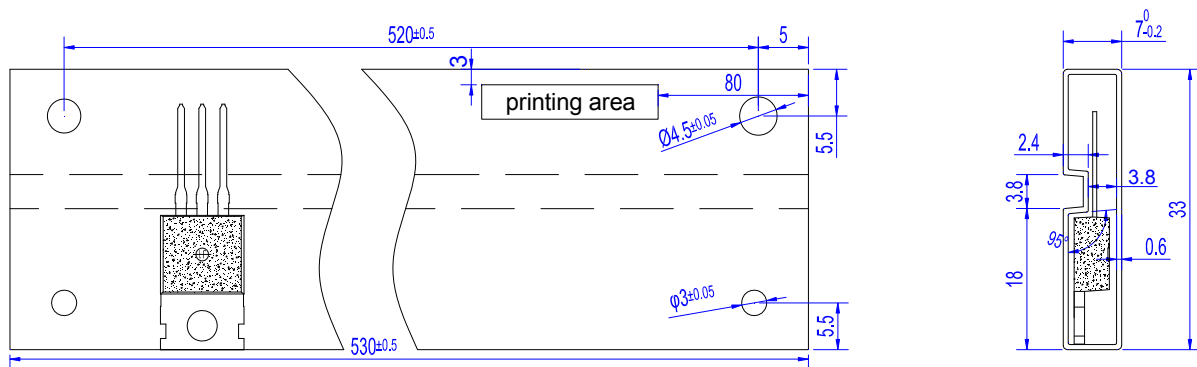
PACKAGE	OUTLINE	TUBE (PCS)	INNER BOX (PCS)	PER CARTON
TO-220B	TUBE	50	1,000	5,000

PACKAGE MECHANICAL DATA



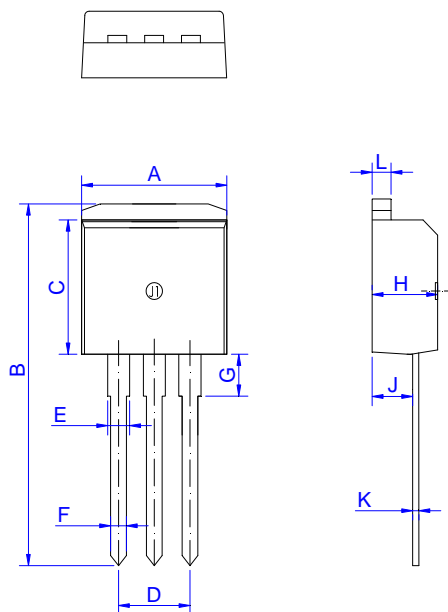
Ref.	Dimensions					
	Millimeters			Inches		
	Min.	Typ.	Max.	Min.	Typ.	Max.
A	4.40		4.60	0.173		0.181
B	0.70		0.90	0.028		0.035
C	0.45		0.60	0.018		0.024
C2	1.23		1.32	0.048		0.052
C3	2.20		2.60	0.087		0.102
D	8.90		9.90	0.350		0.390
E	9.90		10.3	0.390		0.406
F	6.30		6.90	0.248		0.272
G		2.54			0.1	
H	28.0		29.8	1.102		1.173
L1		3.39			0.133	
L2	1.14		1.70	0.045		0.067
L3	2.65		2.95	0.104		0.116

DELIVERY MODE



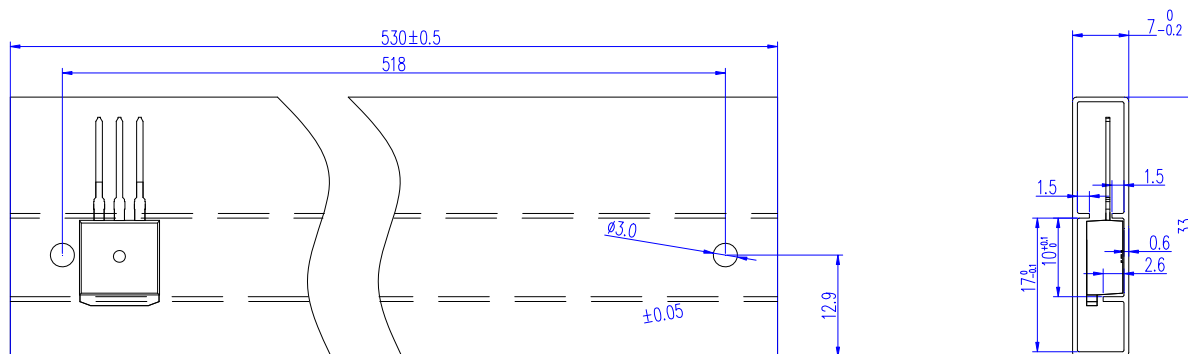
PACKAGE	OUTLINE	TUBE (PCS)	INNER BOX (PCS)	PER CARTON
TO-220C	TUBE	50	1,000	5,000

PACKAGE MECHANICAL DATA



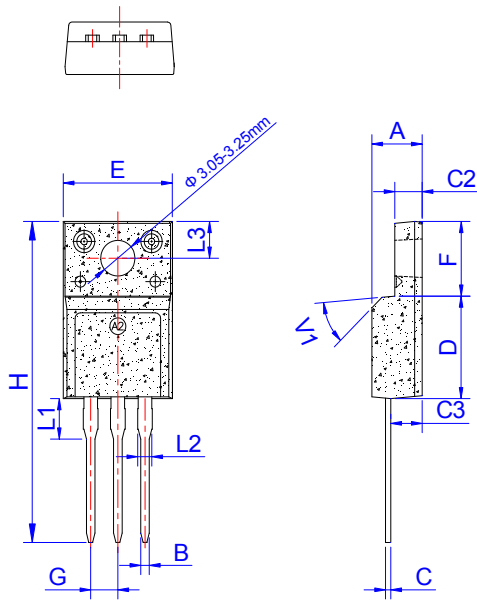
Ref.	Dimensions					
	Millimeters			Inches		
	Min.	Typ.	Max.	Min.	Typ.	Max.
A	9.95		10.20	0.392		0.402
B	23.85		24.05	0.939		0.947
C	9.40		9.60	0.370		0.378
D	5.00		5.20	0.197		0.205
E	1.35		1.40	0.053		0.055
F	0.80		0.85	0.031		0.033
G	2.70		3.40	0.106		0.134
H	4.45		4.55	0.175		0.179
J	2.30		2.50	0.091		0.098
K	0.48		0.52	0.019		0.020
L	1.30		1.35	0.051		0.053

DELIVERY MODE



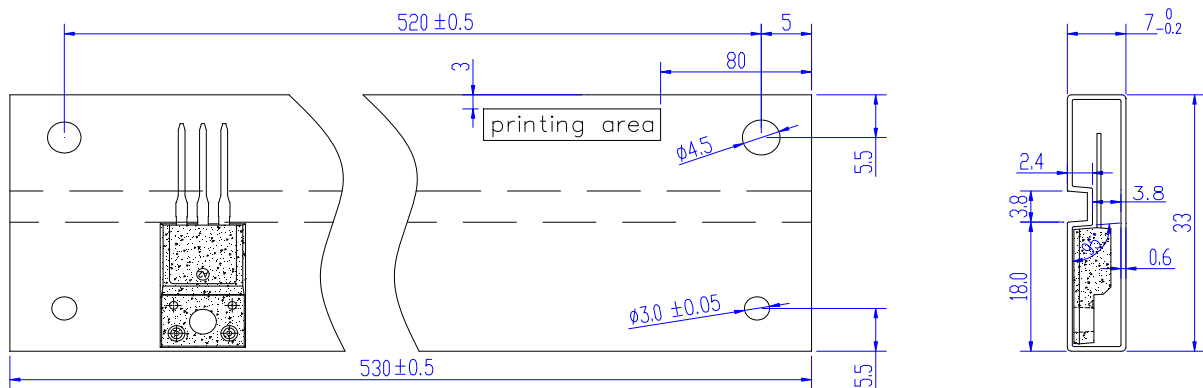
PACKAGE	OUTLINE	TUBE (PCS)	INNER BOX (PCS)	PER CARTON
TO-262	TUBE	50	1,000	5,000

PACKAGE MECHANICAL DATA



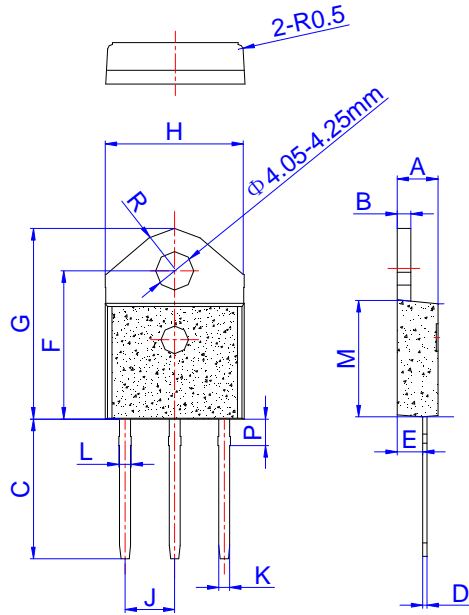
Ref.	Dimensions					
	Millimeters			Inches		
	Min.	Typ.	Max.	Min.	Typ.	Max.
A	4.50		4.90	0.177		0.193
B	0.74	0.80	0.83	0.029	0.031	0.033
C	0.47		0.65	0.019		0.026
C2	2.45		2.75	0.096		0.108
C3	2.60		3.00	0.102		0.118
D	8.80		9.30	0.346		0.366
E	9.80		10.4	0.386		0.410
F	6.40		6.80	0.252		0.268
G	2.40		2.70	0.094		0.106
H	28.0		29.8	1.102		1.173
L1		3.63			0.143	
L2	1.14		1.70	0.045		0.067
L3		3.30			0.130	
V1		45°			45°	

DELIVERY MODE



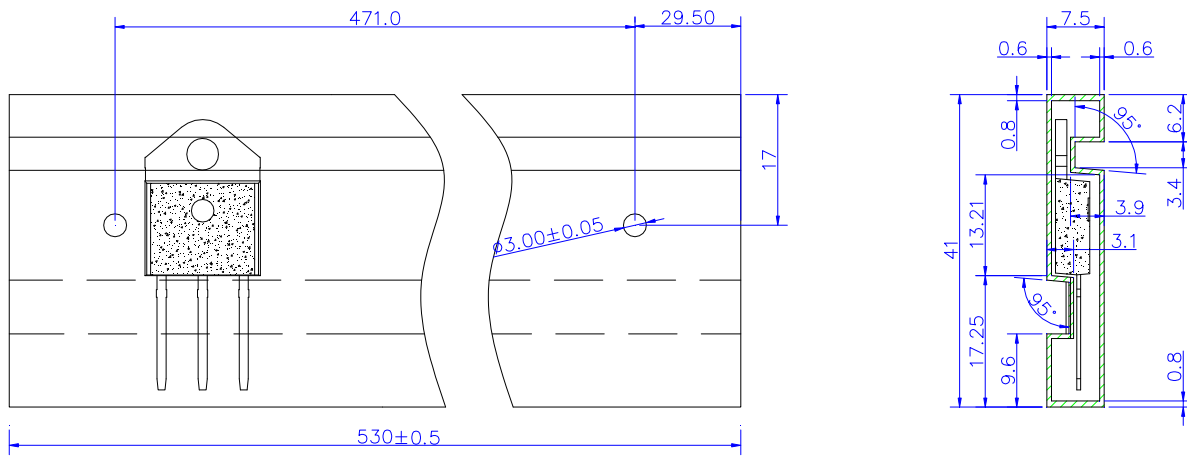
PACKAGE	OUTLINE	TUBE (PCS)	INNER BOX (PCS)	PER CARTON
TO-220F	TUBE	50	1,000	5,000

PACKAGE MECHANICAL DATA



Ref.	Dimensions					
	Millimeters			Inches		
	Min.	Typ.	Max.	Min.	Typ.	Max.
A	4.40		4.60	0.173		0.181
B	1.45		1.55	0.057		0.061
C	14.35		15.60	0.565		0.614
D	0.50		0.70	0.020		0.028
E	2.70		2.90	0.106		0.114
F	15.80		16.50	0.622		0.650
G	20.40		21.10	0.803		0.831
H	15.10		15.50	0.594		0.610
J	5.40		5.65	0.213		0.222
K	1.10		1.40	0.043		0.055
L	1.25		1.45	0.049		0.057
M	12.37		12.77	0.487		0.503
P	2.80		3.00	0.110		0.118
R		4.35			0.171	

DELIVERY MODE



PACKAGE	OUTLINE	TUBE (PCS)	INNER BOX (PCS)	PER CARTON
TO-3P	TUBE	30	450	2,250



Information furnished in this document is believed to be accurate and reliable. However, Jiangsu JieJie Microelectronics Co.,Ltd assumes no responsibility for the consequences of use without consideration for such information nor use beyond it. Information mentioned in this document is subject to change without notice, apart from that when an agreement is signed, Jiangsu JieJie complies with the agreement. Products and information provided in this document have no infringement of patents. Jiangsu JieJie assumes no responsibility for any infringement of other rights of third parties which may result from the use of such products and information. This document supersedes and replaces all information previously supplied.



is a registered trademark of Jiangsu JieJie Microelectronics Co.,Ltd.
Copyright ©2022 Jiangsu JieJie Microelectronics Co.,Ltd. Printed All rights reserved.