



JSPL0230AC

0.2A Schottky Barrier Rectifier

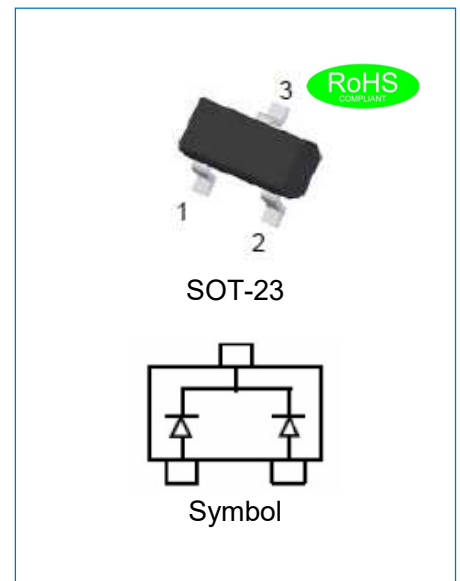
Rev.1.1

DESCRIPTION

- ✧ Plastic package has underwriters laboratories flammability classification 94V-0
- ✧ For surface mounted applications in order to optimize board space
- ✧ Lead free in compliance with EU RoHS 2011/65/EU directive
- ✧ Ultra low forward voltage drop
- ✧ Low power losses, high efficiency operation
- ✧ High current capability and surge capability
- ✧ Extremely fast switching speed
- ✧ Low thermal resistance package

MECHANICAL DATA

- ✧ Case: SOT-23 molded plastic
- ✧ Terminals: Solder plated, solderable per J-STD-002



ABSOLUTE MAXIMUM RATING (Rating at 25°C ambient temperature unless otherwise specified.)

Parameter	Symbol	JSPL0230AC	Unit
Maximum repetitive peak reverse voltage	V_{RRM}	30	V
Maximum working reverse voltage	V_{RWM}	30	V
Maximum DC blocking voltage	V_{DC}	30	V
Forward continuous current	I_{FM}	0.2	A
Peak forward surge current: 8.3ms single half sine-wave superimposed on rated load	I_{FSM}	0.6	A
Power dissipation	P_D	0.2	W
Maximum junction capacitance $V_R=1.0V, f=1MHz$	C_J	10	pF
Operating junction temperature range	T_j	-55 to +125	°C
Storage temperature range	T_{stg}	-55 to +150	°C

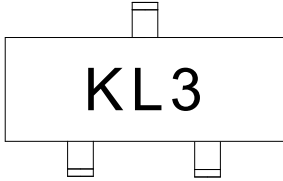
**ELECTRICAL CHARACTERISTICS**(Rating at 25°C ambient temperature unless otherwise specified.)

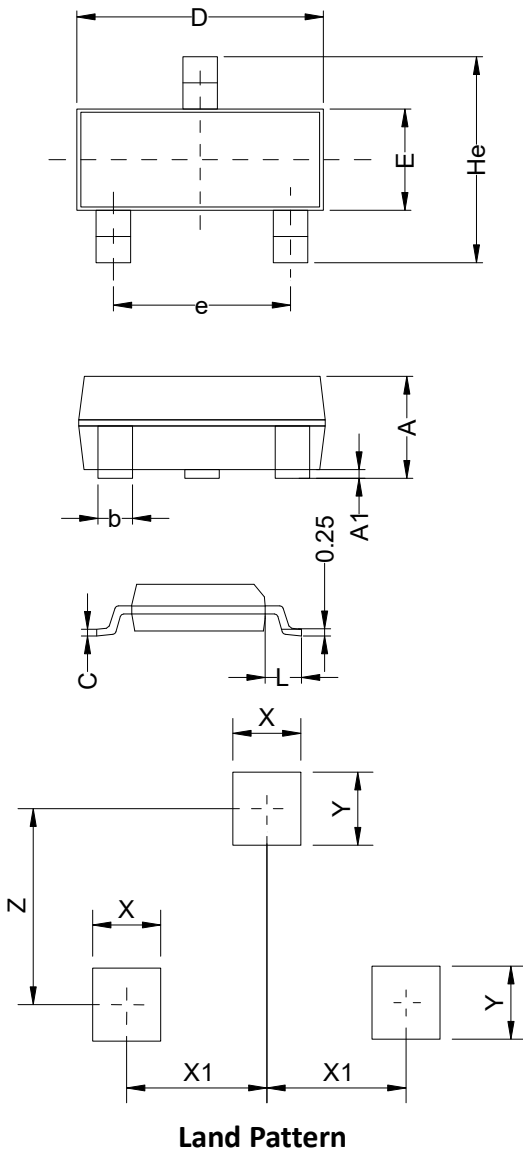
Parameter		Symbol	Min.	Typ.	Max.	Unit
Reverse breakdown voltage	$I_R=100\mu A$	V_{BR}	30	-	-	V
Forward voltage	$I_{F1}=0.1mA$	V_F	-	-	0.24	V
	$I_{F2}=1mA$		-	-	0.32	
	$I_{F3}=10mA$		-	-	0.40	
	$I_{F4}=30mA$		-	-	0.50	
	$I_{F5}=100mA$		-	-	1.00	
Reverse voltage leakage current	$V_R=25V$	I_R	-	-	2	μA
Reverse recovery time	$I_F=I_R=10mA$ $I_{tr}=0.1\times I_R, R_L=100\Omega$	t_{rr}	-	-	5	ns

THERMAL RESISTANCES

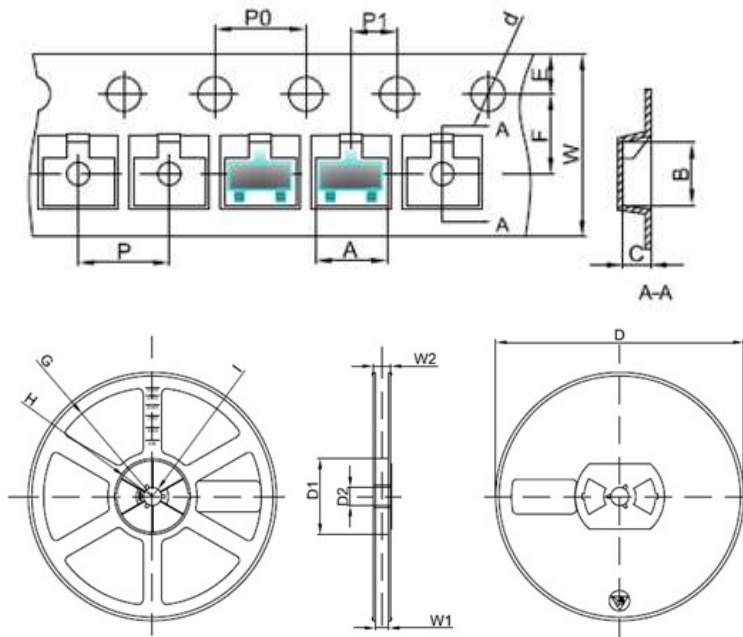
Symbol	Parameter	JSPL0230AC	Unit
$R_{th(j-a)}$	Thermal resistance from junction to ambient	500	$^{\circ}C/W$

MARKING

Part Number	Marking Code
JSPL0230AC	

PACKAGE MECHANICAL DATA


Symbol	Millimeters			Inches		
	Min.	Typ.	Max.	Min.	Typ.	Max.
A	0.90	1.063	1.15	0.035	0.042	0.045
A1	0.00	0.075	0.14	0.000	0.003	0.006
b	0.30	0.40	0.50	0.012	0.016	0.020
C	0.07	0.10	0.15	0.003	0.004	0.006
D	2.80	2.90	3.00	0.110	0.114	0.118
e	1.80	1.90	2.00	0.071	0.075	0.079
E	1.20	1.30	1.40	0.047	0.051	0.055
L	0.55REF			0.022REF		
He	2.25	2.40	2.55	0.089	0.094	0.100
X	0.80			0.031		
X1	0.95			0.037		
Y	0.80			0.031		
Z	2.02			0.080		

TAPE AND REEL SPECIFICATION-SOT-23


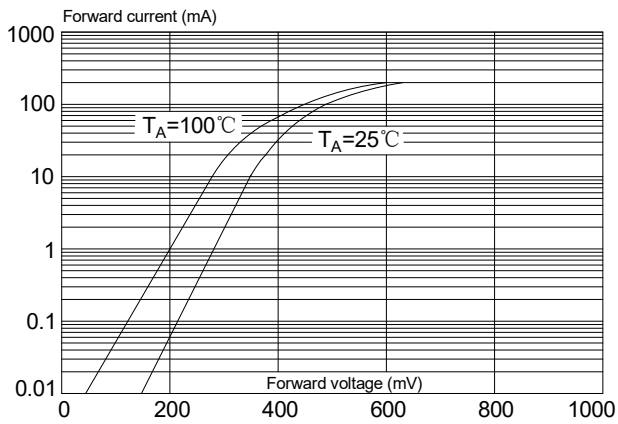
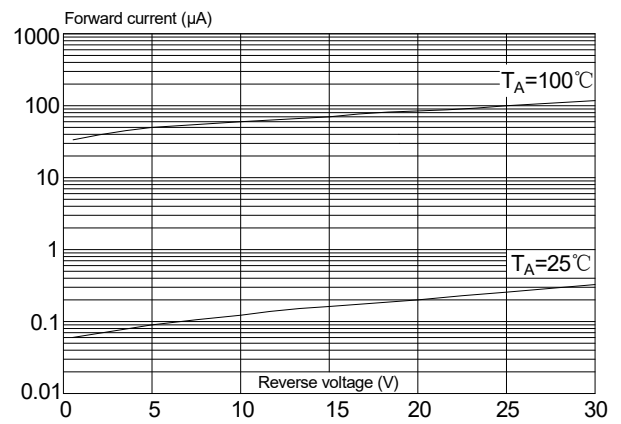
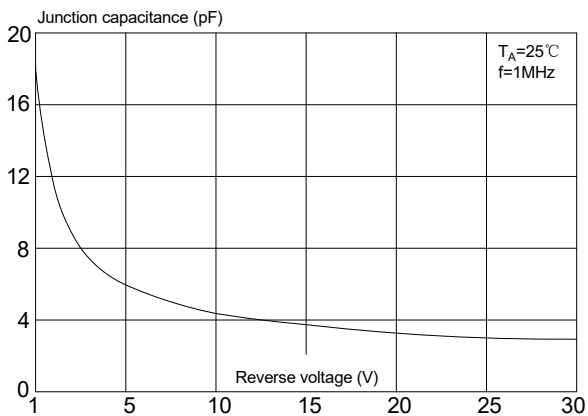
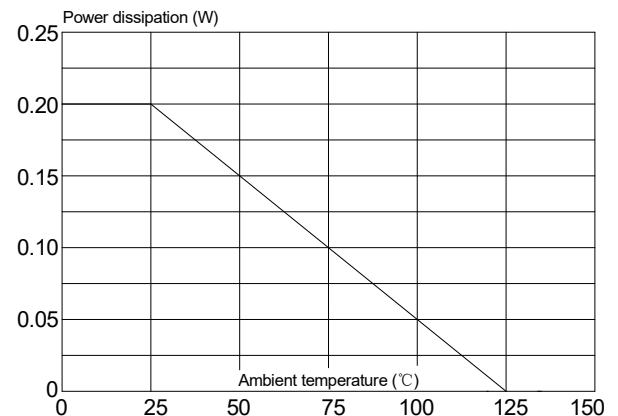
Symbol	Millimeters	Inches
	Typ.	Typ.
A	3.15	0.124
B	2.77	0.109
C	1.22	0.048
d	Φ1.50	Φ0.059
E	1.75	0.069
F	3.50	0.138
P0	4.00	0.157
P	4.00	0.157
P1	2.00	0.079
W	8.00	0.315
D	Φ178	Φ7.008
D1	54.40	2.142
D2	13.00	0.512
G	R78.00	R3.071
H	R25.60	R1.008
I	R6.50	R0.256
W1	9.50	0.374
W2	12.30	0.484

Packaging Description:

SOT-23 parts are shipped in tape. The carrier tape is made from a dissipative(carbon filled) polycarbonate resin. The cover tape is a multilayer film(heat activated adhesive in nature)primarily composed of polyester film, adhesive layer, sealant, and anti-static sprayed agent. These reeled parts in standard option are shipped with 3,000units per 7" or 17.8cm diameter reel. The reels are clear in color and made of polystyrene plastic(anti-static coated).

ORDERING INFORMATION

OUTLINE	PACKAGE TYPE	QUANTITY REEL	DESCRIPTION
TAPING	SOT-23	3,000	7 inch reel pack

CHARACTERISTICS CURVE
FIG.1: Forward characteristics

FIG.2: Reverse characteristics

FIG.3: Capacitance characteristics

FIG.4: Power derating curve


JieJie products are not designed for, and shall not be used for, any purpose (including, without limitation, automotive, military, aerospace, medical, life-saving, life-sustaining or nuclear facility applications, devices intended for surgical implant into the body, or any other application in which the failure or lack of desired operation of the product may result in personal injury, death, or property damage) other than those expressly set forth in applicable JieJie product documentation. Warranties granted by JieJie shall be deemed void for products used for any purpose not expressly set forth in applicable JieJie documentation. JieJie shall not be liable for any claims or damages arising out of products used in applications not expressly intended by JieJie as set forth in applicable JieJie documentation. The sale and use of JieJie products is subject to JieJie terms and conditions of sale, unless otherwise agreed by JieJie.

Information furnished in this document is believed to be accurate and reliable. However, Jiangsu JieJie Microelectronics Co., Ltd. assumes no responsibility for the consequences of use without consideration for such information nor use beyond it.

Information mentioned in this document is subject to change without notice, apart from that when an agreement is signed, Jiangsu JieJie complies with the agreement.

Products and information provided in this document have no infringement of patents. Jiangsu JieJie assumes no responsibility for any infringement of other rights of third parties which may result from the use of such products and information.

This document is the 1.1st version which is made in 3-Nov.-2022. This document supersedes and replaces all information previously supplied.



is a registered trademark of Jiangsu JieJie Microelectronics Co., Ltd.

Copyright ©2022 Jiangsu JieJie Microelectronics Co., Ltd. Printed All rights reserved.